

# PARTS CATALOGUE

**F4MHA-2011** (6BV2)

**F6MHA-2011** (6BX2)

**F4BMH'11** (6BV2)

**F5AMH'11** (6BW2)

**F6CMH'11** (6BX2)

1K6BV-100E1

( )

NEWS NO.	DATE	COMMENT
PE0-OM-120028	May,28,2012	MOD:FIG.20 LIST/ILLUSTRATION REVISION
PE0-OM-130046	Sep.,30,2013	MOD:FIG.4 CYLINDER & CRANKCASE 2 LIST REVISION
PE0-OM-140002	Apr.,14,2014	MOD:FIG.22 REPAIR KIT 1 LIST REVISION
PE0-OM-150002	Feb.,17,2015	COR:FIG.7 CARBURETOR, FIG.23 REPAIR KIT 2 ILLUSTRATION CORRECTION

F4MHA/F6MHA  
F4BMH/F5AMH/F6CMH  
PARTS CATALOGUE  
©2010 by Yamaha Motor Co., Ltd.  
1st edition, July 2010  
All rights reserved.  
Any reprinting or unauthorized use  
without the written permission of  
Yamaha Motor Co., Ltd.  
is expressly prohibited.  
Printed in Japan.

# FOREWORD

This Parts Catalogue is related to the parts for the model(s) on the cover page. When you are ordering replacement parts, please refer to this Parts Catalogue and quote both part numbers and part names correctly.

1. Modifications or additions which have been made after the issue of the Parts Catalogue will be announced in the Parts News.  
It is advisable that you make the necessary corrections to the Parts Catalogue according to the Parts News.

2. Abbreviations

The following abbreviations are used in this Parts Catalogue.

“UR” Use specified parts number.

“UN” Use as many as needed.

“AP” Alternate Parts

“LM” Locally Made (Parts need to be ordered locally)

“F#” Frame No. (Applicable machine No.)

“O/S” Over Size

3. The number of components for assembly

- Parts, which are to be supplied in an assembly, are listed with a dot (.) in front of the part name as shown below.
- The numeral appearing to the right of each component part indicates the quantity of parts for each assembly unit.

PART NO.	DESCRIPTION	Q'TY	REMARKS
2F5-83310-60	FRONT FLASHER LIGHT ASSY	2	
115-83311-60	.BULB (6V-18W)	1	

4. Applicable colours of graphics are represented in the “REMARKS” as shown below.

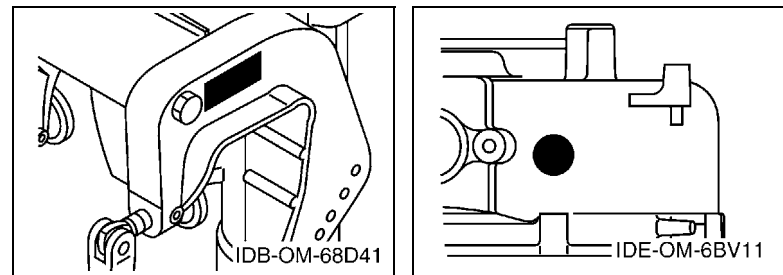
PART NO.	DESCRIPTION	Q'TY	REMARKS
2N4-24110-00-X5	FUEL TANK COMP.	2	MXR
3J1-24240-10	.GRAPHIC, FUEL TANK	1	FOR MXR

5. Note that the illustrations for reference in finding parts numbers are not to be used for assembling. When assembling, please use the applicable service manual.

6. The asterisk (\*) before a reference number indicates modified items after the first edition.

7. Applicable Serial No.

Engine Serial No.



8. Applicable Engine Starting Serial No.

Model	Serial No.	Model	Serial No.
F4B	6BV-1007073	F4	6BV-1007073
F5A	6BW-1003518	F6	6BX-1004578
F6C	6BX-1004578		

9. Applicable Colour Code

Abbreviation	Colour Name	Colour Code
DBNM2	DARK BLUIISH GRAY METALLIC 2	004D

10. Quantity Column Information

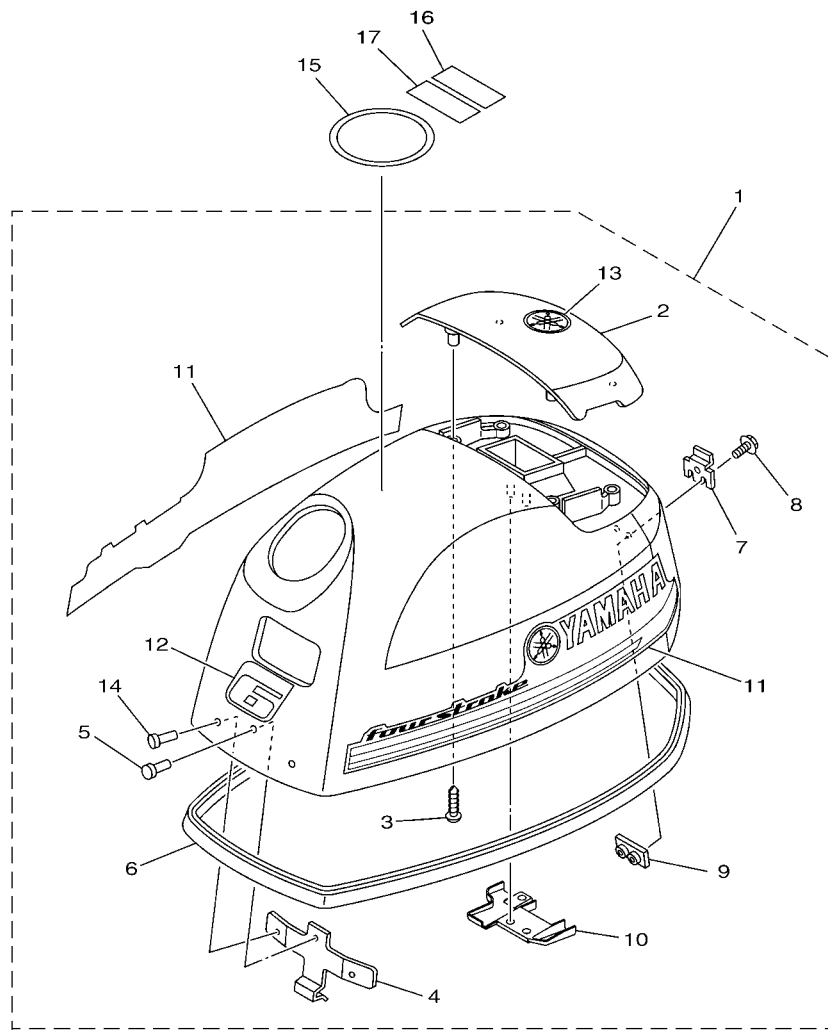
Column No.	Name Of Q'ty Column	Applicable Model
1	6BV2	F4MHA,F4BMH
2	6BW2	F5AMH
3	6BX2	F6MHA,F6CMH

# CONTENTS

TOP COWLING .....	1
CYLINDER & CRANKCASE 1 .....	2
CRANKSHAFT & PISTON .....	3
CYLINDER & CRANKCASE 2 .....	4
VALVE .....	6
INTAKE .....	7
CARBURETOR .....	8
FUEL 1 .....	10
FUEL 2 .....	11
STARTER .....	13
GENERATOR .....	15
ELECTRICAL .....	16
BOTTOM COWLING .....	17
STEERING .....	18
CONTROL .....	20
BRACKET .....	21
UPPER CASING .....	23
LOWER CASING & DRIVE 1 .....	24
LOWER CASING & DRIVE 2 .....	26
FUEL TANK .....	27
OPTIONAL PARTS .....	28
REPAIR KIT 1 .....	29
REPAIR KIT 2 .....	30
REPAIR KIT 3 .....	31

## INDEX

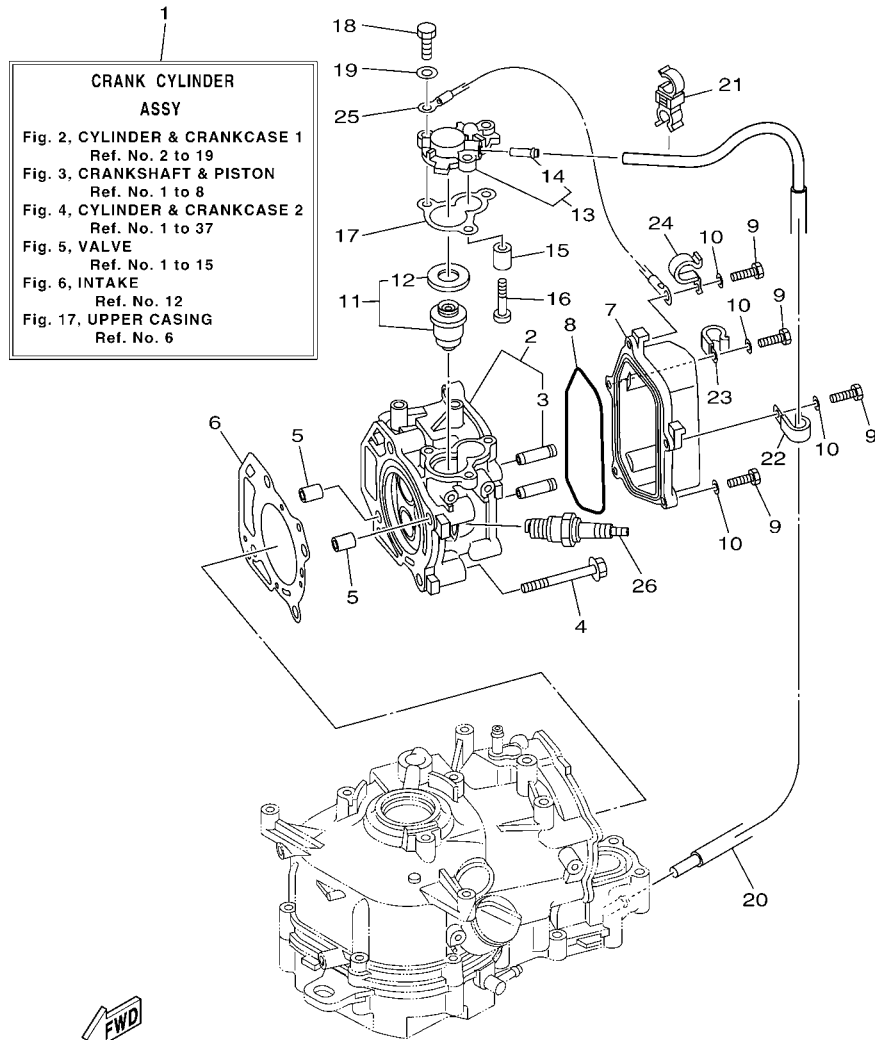
NUMERICAL INDEX .....	32
-----------------------	----



**FWD**  
6BV2100-K010

**FIG. 1 TOP COWLING**

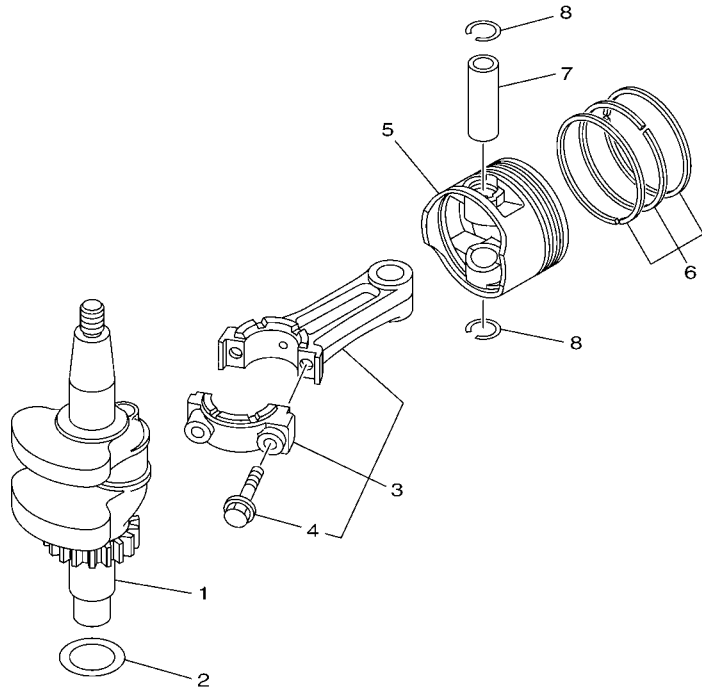
REF. NO.	PART NO.	DESCRIPTION	6BV2	6BW2	6BX2	REMARKS
1	6BV-G2610-10	TOP COWLING ASSY (GRAY)	1			
	6BW-G2610-10	TOP COWLING ASSY (GRAY)		1		
	6BX-G2610-10	TOP COWLING ASSY (GRAY)			1	
2	6BX-G2613-10	.MOLDING, AIR DUCT	1	1	1	
3	97780-40012	.SCREW, TAPPING	4	4	4	
4	6BX-G2651-00	.HOOK	1	1	1	
5	90266-04M04	.RIVET	1	1	1	
6	6BX-42615-00	.SEAL	1	1	1	
7	60R-42652-00	.HOOK	1	1	1	
8	97595-05514	.BOLT, WITH WASHER	2	2	2	
9	68T-42649-00	.HOLDER, CLAMP BAND	1	1	1	
10	6BX-G2134-00	.COVER	1	1	1	
11	6BX-W0070-10	.GRAPHIC SET	1	1	1	
	6BV-42677-00	.GRAPHIC, FRONT	1			
	6BW-42677-00	.GRAPHIC, FRONT		1		
	6BX-42677-00	.GRAPHIC, FRONT			1	
13	6BX-42697-10	.TUNING FORK MARK	1	1	1	
14	90266-04M00	.RIVET	2	2	2	
15	60R-E3434-00	LABEL, CAUTION	1	1	1	
16	6S7-42698-40	LABEL, WARNING (FUEL)	1	1	1	
17	6S7-42698-50	LABEL, WARNING (FUEL)	1		1	FOR CAN



6BV1100-J020

FIG. 2 CYLINDER & CRANKCASE 1

REF. NO.	PART NO.	DESCRIPTION	6BV2	6BW2	6BX2	REMARKS
1	6BX-WE090-00-1S	CRANK CYLINDER ASSY	1	1	1	
2	6BX-E1111-00-1S	HEAD, CYLINDER 1	1	1	1	
3	67D-11133-10	.GUIDE, VALVE 1	2	2	2	
4	90105-08M36	BOLT, FLANGE	4	4	4	
5	99510-10114	PIN, DOWEL	2	2	2	
6	6BX-11181-00	GASKET, CYLINDER HEAD 1	1	1	1	
7	6BX-E1191-00-5B	COVER, CYLINDER HEAD 1	1	1	1	
8	6BX-11356-00	SEAL, CYLINDER 2	1	1	1	
9	97095-06020	BOLT	5	5	5	
10	92995-06600	WASHER	5	5	5	
11	66M-12411-01	THERMOSTAT	1	1	1	
12	688-12412-00	.SEAL, THERMOSTAT	1	1	1	
13	68D-E2413-00-1S	COVER, THERMOSTAT	1	1	1	
14	650-24378-00	.PIPE, JOINT 4	1	1	1	
15	68D-E1325-00	ANODE	1	1	1	
16	97880-05025	SCREW, PAN HEAD	1	1	1	
17	68D-E2414-A0	GASKET, COVER	1	1	1	
18	97095-06020	BOLT	3	3	3	
19	92995-06600	WASHER	3	3	3	
20	6BX-F4323-00	PIPE 12	1	1	1	
21	90464-09021	CLAMP	1	1	1	
22	90465-06M86	CLAMP	1	1	1	
23	90465-06M86	CLAMP	1	1	1	
24	90465-08371	CLAMP	1	1	1	
25	6G0-82519-00	WIRE, EARTH LEAD	1	1	1	
26	94702-00372	PLUG, SPARK (NGK CR6HSB)	1	1	1	

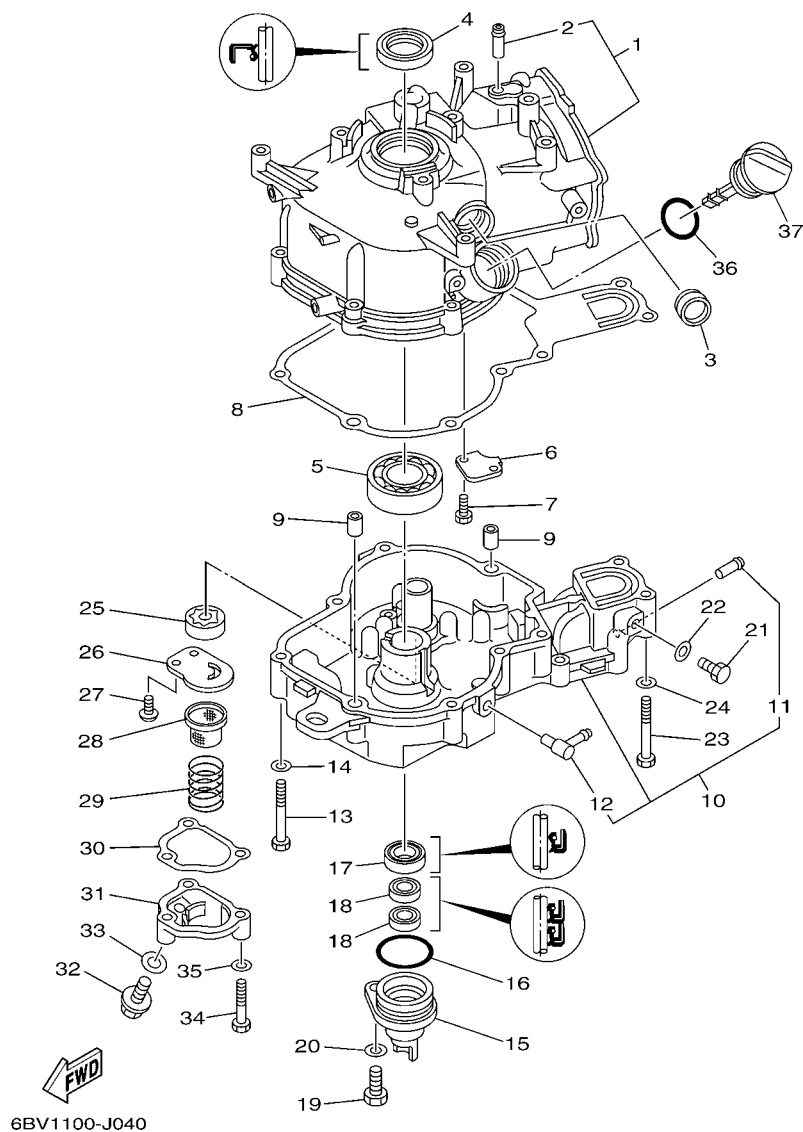


  
6BV1100-J030

**FIG. 3 CRANKSHAFT & PISTON**

REF. NO.	PART NO.	DESCRIPTION	6BV2	6BW2	6BX2	REMARKS
1	6BX-E1410-00	CRANKSHAFT	1	1	1	
2	90201-266P2	WASHER, PLATE	1	1	1	
3	6BX-11650-00	CONNECTING ROD ASSY	1	1	1	
4	67D-11654-00	.BOLT, CONNECTING ROD	2	2	2	
5	6BX-E1631-00-96	PISTON (STD)	1	1	1	
	6BX-E1635-00	PISTON (0.25MM O/S)	1	1	1	AP
	6BX-E1636-00	PISTON (0.50MM O/S)	1	1	1	AP
6	6BX-E1603-00	PISTON RING SET (STD)	1	1	1	
	6BX-E1604-00	PISTON RING SET (0.25MM O/S)	1	1	1	AP
	6BX-E1605-00	PISTON RING SET (0.50MM O/S)	1	1	1	AP
7	6BX-11633-00	PIN, PISTON	1	1	1	
8	93450-16068	CIRCLIP	2	2	2	

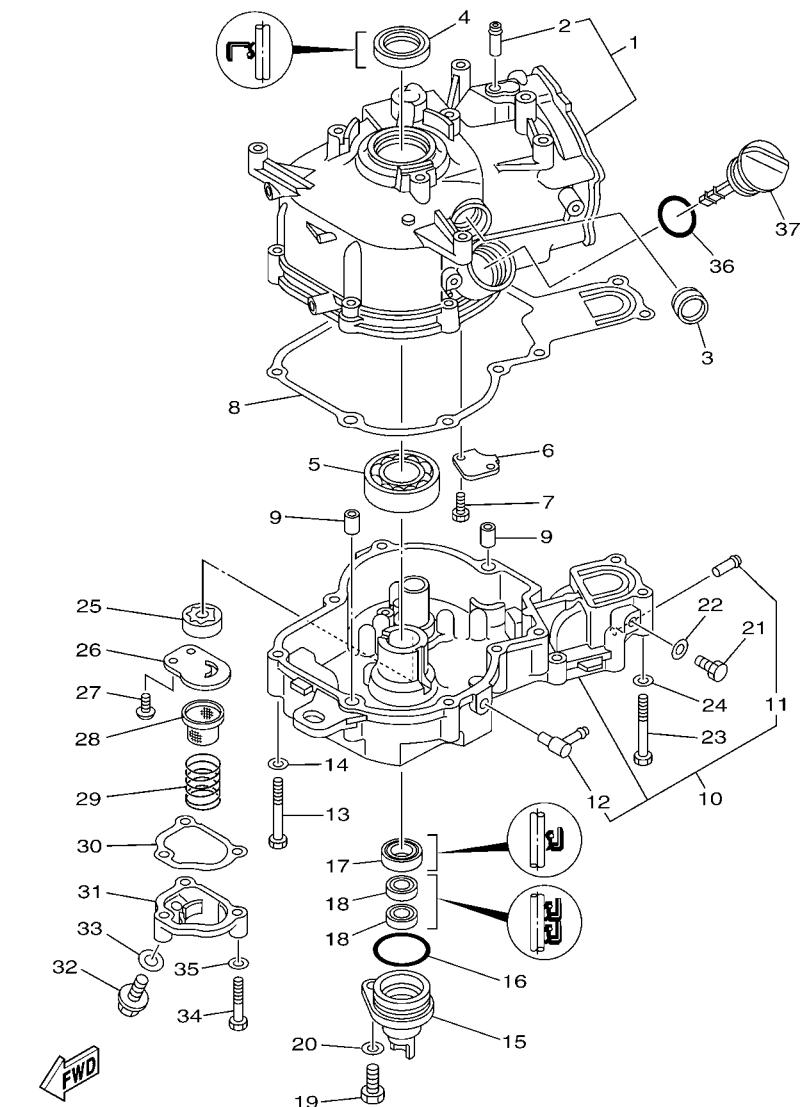
FIG. 4 CYLINDER & CRANKCASE 2



REF. NO.	PART NO.	DESCRIPTION	6BV2	6BW2	6BX2	REMARKS
1	6BX-E1311-00-1S	CYLINDER 1	1	1	1	
2	6E9-24378-00	.PIPE, JOINT 3	1	1	1	
3	3Y6-15361-00	GAUGE, LEVEL	1	1	1	
4	93102-25022	OIL SEAL	1	1	1	
5	93306-205B2	BEARING	1	1	1	
6	6BX-E1168-00	COVER, BREATHER	1	1	1	
7	97013-05010	BOLT	2	2	2	
8	6BX-11351-00	GASKET, CYLINDER	1	1	1	
9	99510-10114	PIN, DOWEL	2	2	2	
10	6BX-E5111-00-1S	CRANKCASE 1	1	1	1	
11	650-24378-00	.PIPE, JOINT 4	1	1	1	
12	676-11372-00	.NIPPLE, HOSE	1	1	1	
13	97013-06050	BOLT	8	8	8	
14	92903-06600	WASHER, PLATE	8	8	8	
15	68D-E5396-00-5B	HOUSING, OIL SEAL	1	1	1	
16	93210-35537	O-RING	1	1	1	
17	93102-20108	OIL SEAL	1	1	1	
18	93102-10004	OIL SEAL	2	2	2	
19	97095-08020	BOLT	1	1	1	
20	92995-08600	WASHER	1	1	1	
21	97095-08014	BOLT	1	1	1	
22	90430-08800	GASKET	1	1	1	
23	97013-06050	BOLT	2	2	2	
24	92903-06600	WASHER, PLATE	2	2	2	
25	6BX-E3310-00	ROTOR ASSY 1	1	1	1	
26	6BX-E3316-00	COVER, PUMP	1	1	1	
27	98517-06012	SCREW, PAN HEAD	2	2	2	

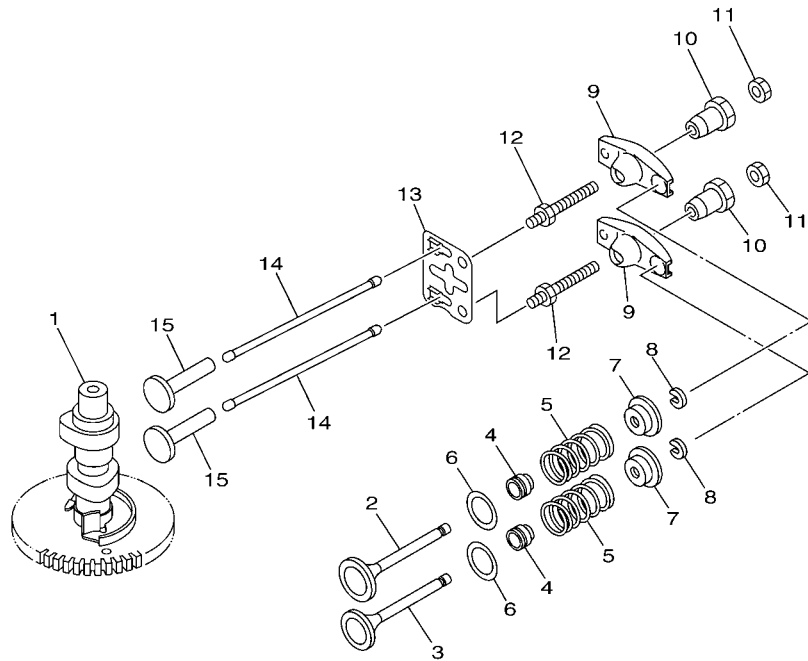


FIG. 4 CYLINDER & CRANKCASE 2



6BV1100-J040

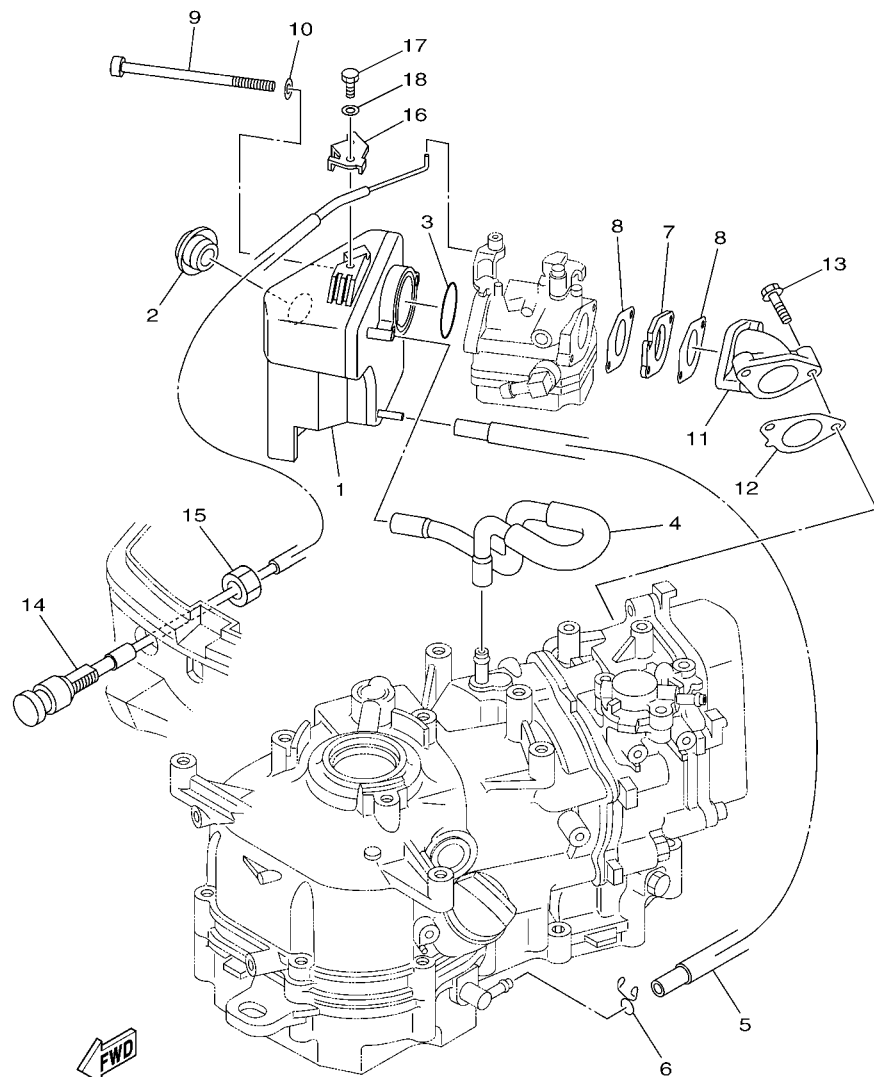
REF. NO.	PART NO.	DESCRIPTION	6BV2	6BW2	6BX2	REMARKS
			1	1	1	
28	51Y-13411-00	STRAINER, OIL	1	1	1	
29	90501-18576	SPRING, COMPRESSION	1	1	1	
30	6BX-E3475-00	GASKET	1	1	1	
31	6BX-E3417-00-1S	COVER, STRAINER	1	1	1	
32	90105-08M76	BOLT, FLANGE	1	1	1	
33	90201-08818	WASHER, PLATE	1	1	1	
34	97095-06035	BOLT	3	3	3	
35	92995-06600	WASHER	3	3	3	
36	93210-24M79	O-RING	1	1	1	
37	68D-E5362-00	PLUG, OIL LEVEL	1	1	1	



  
 6BV1100-J050

**FIG. 5 VALVE**

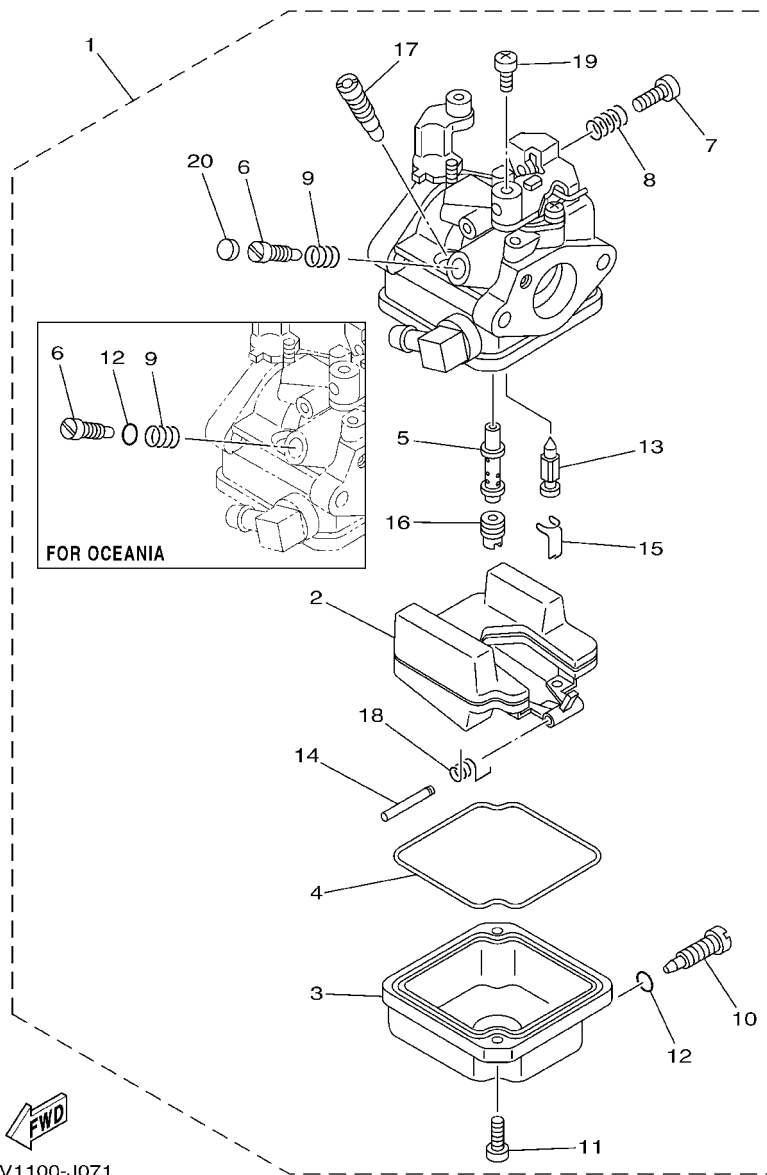
REF. NO.	PART NO.	DESCRIPTION	6BV2	6BW2	6BX2	REMARKS
1	6BX-E2170-00	CAMSHAFT ASSY 1	1	1	1	
2	6BX-12111-00	VALVE, INTAKE	1	1	1	
3	6AU-12121-00	VALVE, EXHAUST	1	1	1	
4	51Y-12119-00	SEAL, VALVE STEM	2	2	2	
5	60R-12113-00	SPRING, VALVE INNER	2	2	2	
6	68T-12116-00	SEAT, VALVE SPRING	2	2	2	
7	7NJ-12117-00	RETAINER, VALVE SPRING	2	2	2	
8	7NJ-12118-00	COTTER, VALVE	2	2	2	
9	67D-12151-00	ARM, VALVE ROCKER	2	2	2	
10	7FK-12165-00	PIVOT, ROCKER ARM	2	2	2	
11	7FK-12158-00	NUT, LOCK	2	2	2	
12	67D-12157-00	BOLT	2	2	2	
13	6BX-E2155-00	GUIDE, PUSH ROD	1	1	1	
14	6BX-12154-00	ROD, VALVE PUSH	2	2	2	
15	JA9-12153-00	LIFTER, VALVE	2	2	2	



6BV1100-J060

FIG. 6 INTAKE

REF. NO.	PART NO.	DESCRIPTION	6BV2	6BW2	6BX2	REMARKS
1	6BX-14440-00	SILENCER ASSY, INTAKE	1	1	1	
2	90480-18M74	GROMMET	1	1	1	
3	93210-320A7	O-RING	1	1	1	
4	6BX-F4314-00	PIPE 4	1	1	1	
5	6BX-E316F-00	HOSE, OIL 1	1	1	1	
6	90467-09M09	CLIP	1	1	1	
7	6BX-E3647-00	GASKET, MANIFOLD 3	1	1	1	
8	6BX-E3646-00	GASKET, MANIFOLD 2	2	2	2	
9	90110-06350	BOLT, HEXAGON SOCKET HEAD	2	2	2	
10	90201-06106	WASHER, PLATE	2	2	2	
11	6BX-E3641-10-94	MANIFOLD 1	1	1	1	
12	6BX-E3645-00	GASKET, MANIFOLD 1	1	1	1	
13	97575-06525	BOLT, WITH WASHER	2	2	2	
14	6BX-F6330-01	STARTER CABLE ASSY	1	1	1	
15	6BX-F6333-00	NUT	1	1	1	
16	6BX-E3151-00	STAY	1	1	1	
17	97095-05010	BOLT	1	1	1	
18	92995-05600	WASHER	1	1	1	

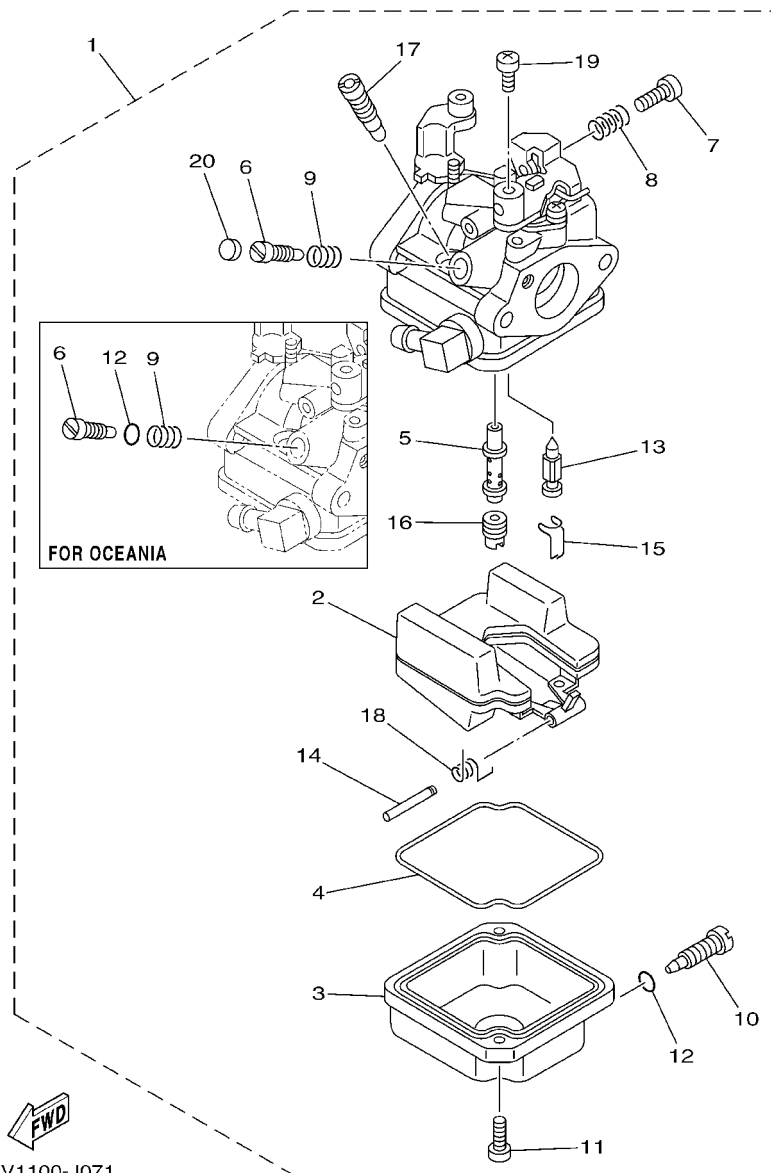


6BV1100-J071

FIG. 7 CARBURETOR

REF. NO.	PART NO.	DESCRIPTION	6BV2	6BW2	6BX2	REMARKS
1	6BV-14301-01	CARBURETOR ASSY 1	1			FOR OCE
	6BV-14301-11	CARBURETOR ASSY 1	1			FOR CAN
	6BW-14301-01	CARBURETOR ASSY 1		1		FOR OCE
	6BX-14301-00	CARBURETOR ASSY 1			1	FOR OCE
	6BX-14301-10	CARBURETOR ASSY 1			1	FOR CAN
2	6BX-14985-00	.FLOAT	1	1	1	
3	6BX-14980-00	.BODY, FLOAT CHAMBER	1	1	1	
4	6BX-14984-00	.GASKET, FLOAT CHAMBER	1	1	1	
5	6BV-14947-00	.JET, NEEDLE	1			
	6BW-14947-00	.JET, NEEDLE		1		
	6BX-14947-00	.JET, NEEDLE			1	
6	6BW-14923-20	.SCREW, PILOT	1	1		FOR OCE
	6BW-14923-10	.SCREW, PILOT	1			FOR CAN
	6BX-14923-20	.SCREW, PILOT			1	FOR OCE
	6BX-14923-10	.SCREW, PILOT			1	FOR CAN
7	6BX-14523-00	.SCREW, STOP	1	1	1	
8	6BX-14555-00	.SPRING	1	1	1	
9	6BX-14935-00	.SPRING	1	1	1	
10	6BX-14991-00	.SCREW	1	1	1	
11	6BX-14592-00	.SCREW	2	2	2	
12	4JH-14562-00	.O-RING	2	2	2	FOR OCE
	4JH-14562-00	.O-RING	1		1	FOR CAN
13	6BX-14546-00	.VALVE, NEEDLE	1	1	1	
14	6BX-14548-00	.PIN, FLOAT ARM	1	1	1	
15	6BX-14937-00	.CLIP	1	1	1	
16	6BV-14943-11	.JET, MAIN (#60)	1			
	6BW-14943-15	.JET, MAIN (#70)		1		

FIG. 7 CARBURETOR

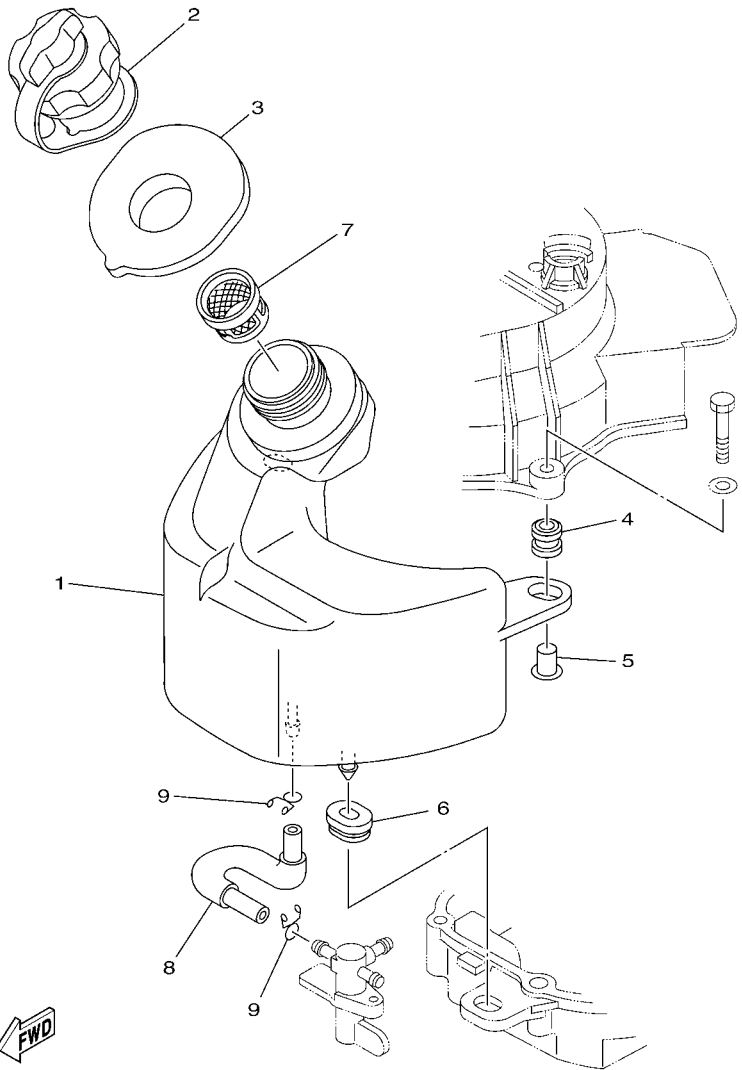


  
6BV1100-J071

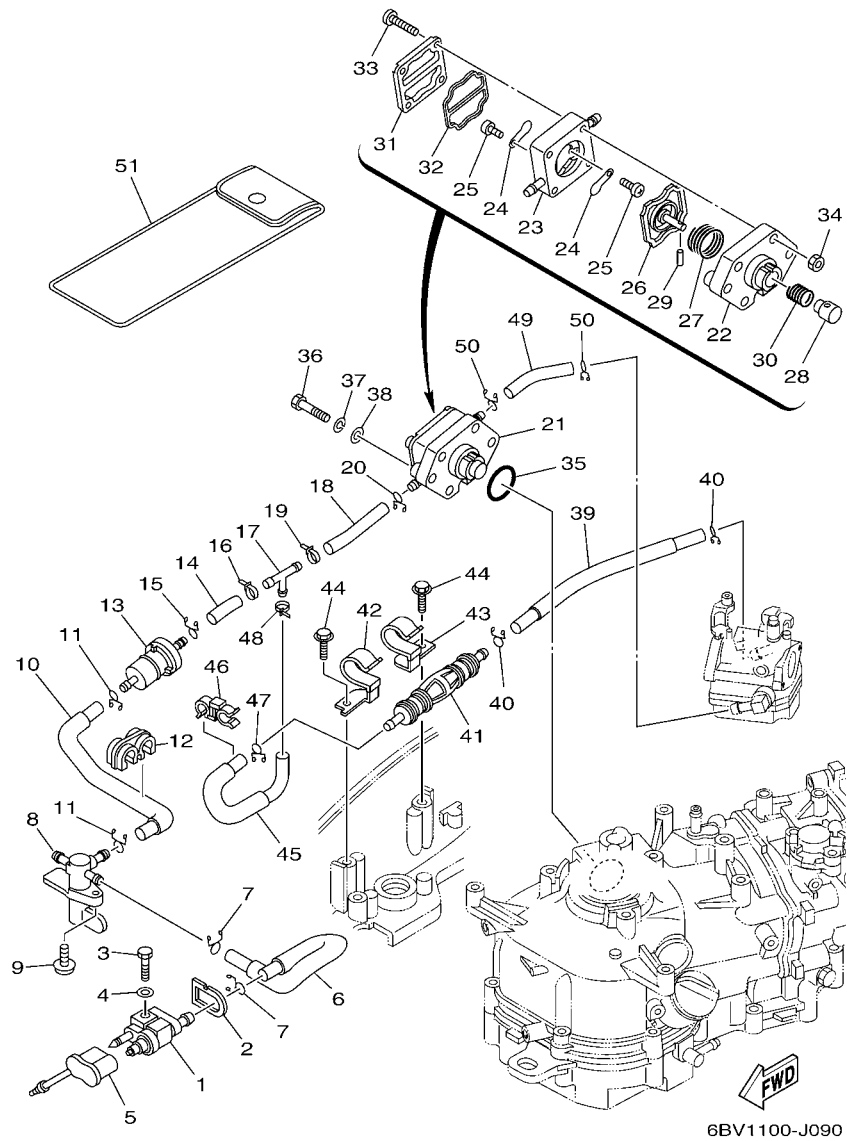
REF. NO.	PART NO.	DESCRIPTION	6BV2	6BV2	6BV2	REMARKS
16	6BX-14943-17	.JET, MAIN (#75)			1	
17	6BV-14948-01	.JET (#35)	1	1		
	6BX-14948-04	.JET (#42)			1	
18	6BX-14556-00	.SPRING	1	1	1	
19	98580-04006	.SCREW, PAN HEAD	1	1	1	
20	6BX-1432A-00	.PLUG	1		1	FOR CAN

**FIG. 8 FUEL 1**

<b>REF. NO.</b>	<b>PART NO.</b>	<b>DESCRIPTION</b>	<b>6BV2</b>	<b>6BW2</b>	<b>6BX2</b>	<b>REMARKS</b>
1	6BX-F4111-00	TANK, FUEL	1	1	1	
2	6BX-24610-00	CAP ASSY	1	1	1	
3	6BX-24641-00	GASKET, CAP 1	1	1	1	
4	6A0-82317-00	DAMPER, IGNITION COIL	2	2	2	
5	90387-06119	COLLAR	2	2	2	
6	90480-01559	GROMMET	1	1	1	
7	6BX-24167-00	STRAINER	1	1	1	
8	6BX-F4311-00	PIPE, FUEL 1	1	1	1	
9	90467-09M09	CLIP	2	2	2	
-----						
-----						
-----						
-----						
-----						
-----						
-----						
-----						
-----						

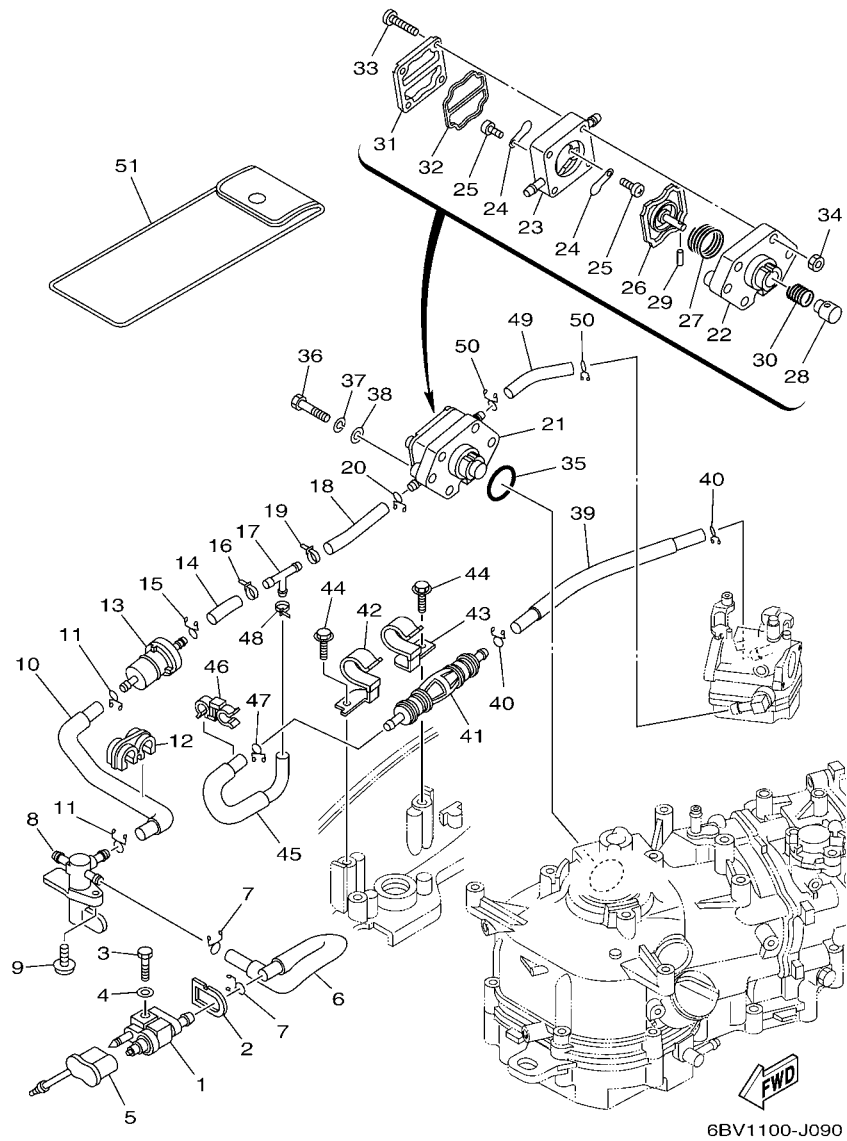


6BV1100-J080



**FIG. 9 FUEL 2**

REF. NO.	PART NO.	DESCRIPTION	6BV2	6BW2	6BX2	REMARKS
1	6G1-24304-02	FUEL PIPE JOINT COMP. 1	1	1	1	
2	60R-F4329-00	SEAL	1	1	1	
3	97095-06025	BOLT	1	1	1	
4	92995-06600	WASHER	1	1	1	
5	6BX-2476U-00	PROTECTOR,1	1	1	1	
6	6BX-F4312-00	PIPE 2	1	1	1	
7	90467-09M09	CLIP	2	2	2	
8	6BX-24500-00	FUEL COCK ASSY 1	1	1	1	
9	90159-06M10	SCREW, WITH WASHER	1	1	1	
10	6BX-F4313-00	PIPE 3	1	1	1	
11	90467-09M09	CLIP	2	2	2	
12	90464-12224	CLAMP	1	1	1	
13	68T-24251-01	STRAINER 1	1	1	1	
14	6BX-F247C-00	HOSE 3	1	1	1	
15	90467-09M09	CLIP	1	1	1	
16	90465-11M10	CLAMP	1	1	1	
17	688-24378-00	PIPE, JOINT 3	1	1	1	
18	6BX-F247D-00	HOSE 4	1	1	1	
19	90465-11M10	CLAMP	1	1	1	
20	90467-09M09	CLIP	1	1	1	
21	6BX-24410-00	FUEL PUMP ASSY	1	1	1	
22	67D-24412-00	.BODY 1	1	1	1	
23	67D-24413-02	.BODY 2	1	1	1	
24	6A0-24421-01	.VALVE, CHECK	2	2	2	
25	6E7-14325-00	.SCREW, PAN HEAD	2	2	2	
26	6BX-24411-00	.DIAPHRAGM	1	1	1	
27	67D-24423-00	.SPRING, DIAPHRAGM	1	1	1	

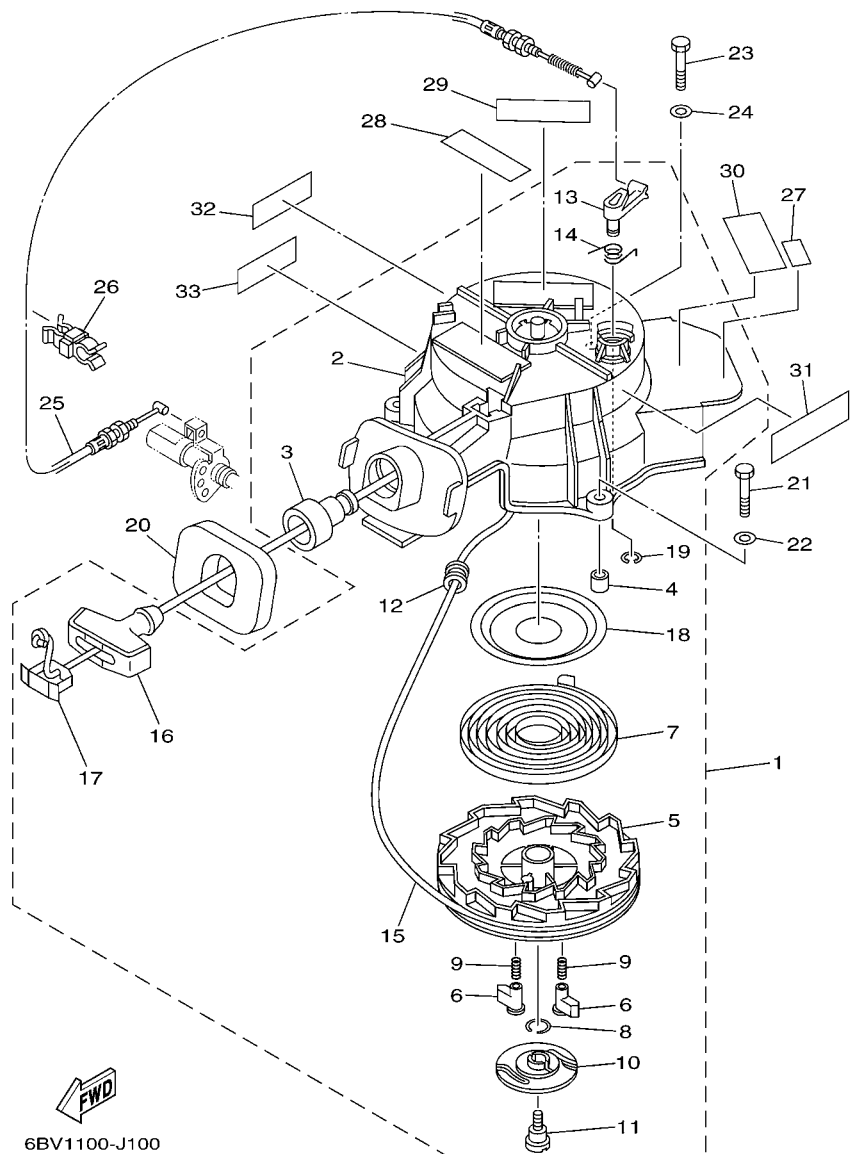


**FIG. 9 FUEL 2**

REF. NO.	PART NO.	DESCRIPTION	6BV2	6BW2	6BX2	REMARKS
28	6BX-13131-00	.PLUNGER	1	1	1	
29	66M-24374-00	.PIN	1	1	1	
30	6BX-24454-00	.SPRING	1	1	1	
31	67D-24414-01	.BODY 3	1	1	1	
32	66M-24471-01	.DIAPHRAGM	1	1	1	
33	67D-24444-00	.SCREW	4	4	4	
34	95380-04600	.NUT	4	4	4	
35	93210-27ME3	O-RING	1	1	1	
36	97095-06030	BOLT	2	2	2	
37	92995-06100	WASHER, SPRING	2	2	2	
38	92995-06600	WASHER	2	2	2	
39	6BX-F247B-00	HOSE 2	1	1	1	
40	90467-09M09	CLIP	2	2	2	
41	6BX-24360-00	PRIMER PUMP ASSY	1	1	1	
42	6BX-24135-00	CLAMP 1	1	1	1	
43	6BX-24136-00	CLAMP 2	1	1	1	
44	90109-06M80	BOLT	2	2	2	
45	6BX-F247A-00	HOSE 1	1	1	1	
46	90464-09021	CLAMP	1	1	1	
47	90467-09M09	CLIP	1	1	1	
48	90465-11M10	CLAMP	1	1	1	
49	6BX-E3971-00	PIPE, FUEL 1	1	1	1	
50	90467-09M09	CLIP	2	2	2	
51	6BX-F8100-00	TOOL KIT	1	1	1	AP



FIG. 10 STARTER

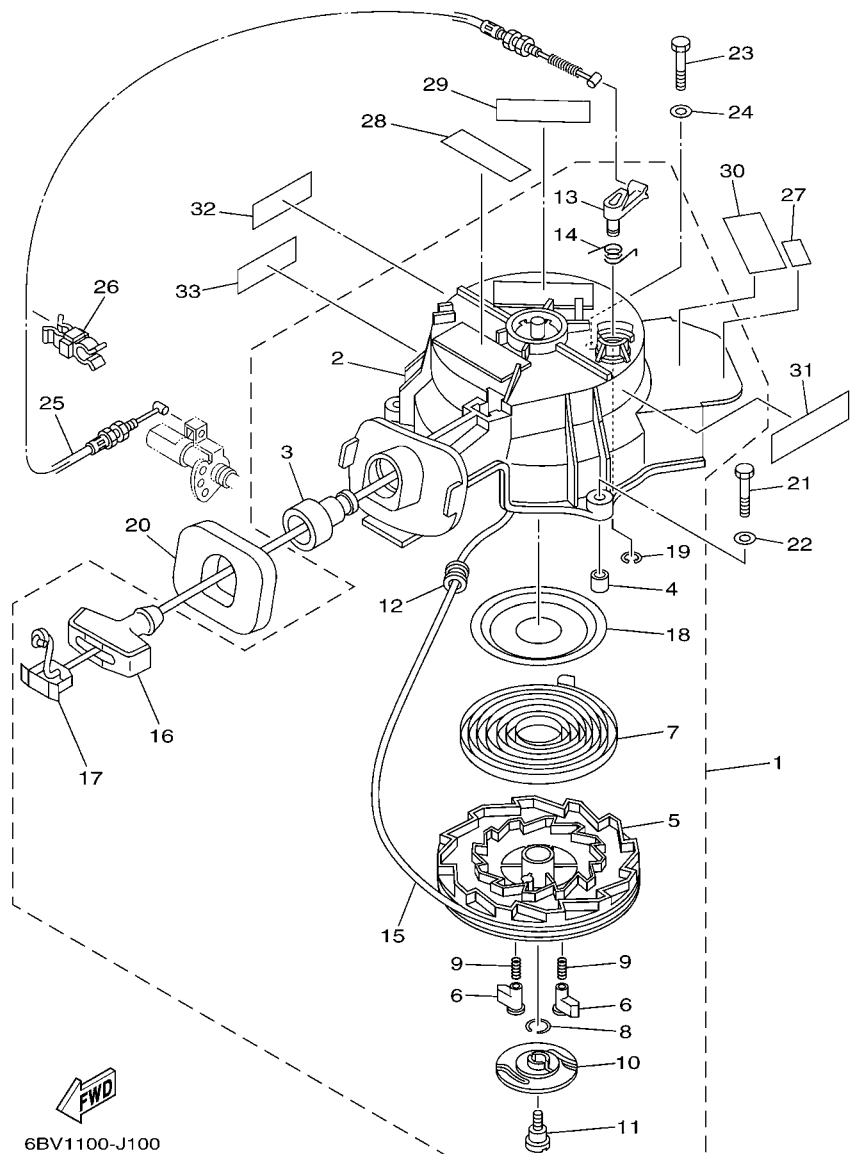


6BV1100-J100

\*1: CUT FROM 50M ROLLS, PART NO. 90790-48192, CUTTING LENGTH 1.8M

REF. NO.	PART NO.	DESCRIPTION	6BV2	6BW2	6BX2	REMARKS
1	6BX-15710-00	STARTER ASSY	1	1	1	
2	6BX-15711-00	.CASE, STARTER	1	1	1	
3	63V-15795-01	.GUIDE, ROPE	1	1	1	
4	67D-15764-00	.COLLAR 1	3	3	3	
5	67D-15714-00	.DRUM, SHEAVE	1	1	1	
6	67D-15741-00	.PAWL, DRIVE	2	2	2	
7	67D-15713-00	.SPRING, STARTER	1	1	1	
8	6BX-15705-00	.SPRING, DRIVE PAWL	1	1	1	
9	67D-15767-00	.SPRING	2	2	2	
10	67D-15735-00	.GUIDE, CAM	1	1	1	
11	67D-15793-00	.SCREW	1	1	1	
12	63V-15764-00	.COLLAR 1	1	1	1	
13	67D-15794-01	.STOPPER	1	1	1	
14	67D-15734-00	.SPRING, RETURN	1	1	1	
15	*	.WIRE, STARTER (L:1800MM)	1	1	1	*1
16	6G1-15755-00	.HANDLE, STARTER	1	1	1	
17	6G1-15779-00	.COVER	1	1	1	
18	67D-15739-00	.WASHER, THRUST	1	1	1	
19	67D-15744-00	.CIRCLIP	1	1	1	
20	6BX-15762-00	SEAL, RUBBER 2	1	1	1	
21	97095-06035	BOLT	2	2	2	
22	92995-06600	WASHER	2	2	2	
23	97095-06020	BOLT	1	1	1	
24	92995-06600	WASHER	1	1	1	
25	6BX-E5770-00	CABLE COMP., STARTER STOP	1	1	1	
26	90464-07008	CLAMP	1	1	1	
27	6BX-82377-00	LABEL	1	1	1	

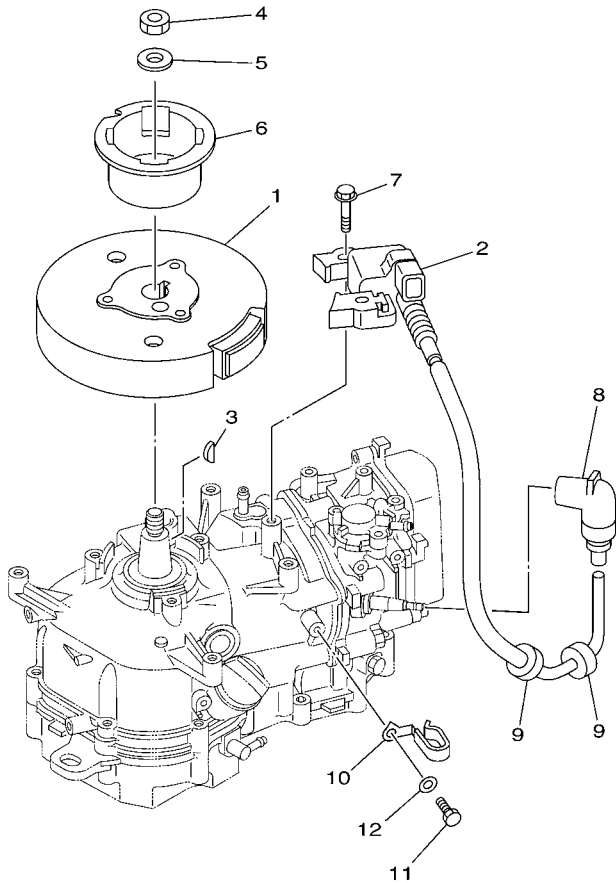
FIG. 10 STARTER



6BV1100-J100

\*1: CUT FROM 50M ROLLS, PART NO. 90790-48192, CUTTING LENGTH 1.8M

REF. NO.	PART NO.	DESCRIPTION	6BV2	6BW2	6BX2	REMARKS
28	6AH-81995-40	LABEL, WARNING	1	1	1	
29	6AH-81995-50	LABEL, WARNING	1	1		FOR CAN
30	6BX-E3437-40	MARK, CAUTION	1	1	1	FOR OCE
	6BX-E3437-50	MARK, CAUTION	1	1		FOR CAN
31	6BX-E4427-40	LABEL, INSTRUCTION	1	1	1	FOR OCE
	6BX-E4427-50	LABEL, INSTRUCTION	1	1		FOR CAN
32	6AH-81994-40	LABEL, SAFETY	1	1	1	
33	6AH-81994-50	LABEL, SAFETY	1	1		FOR CAN

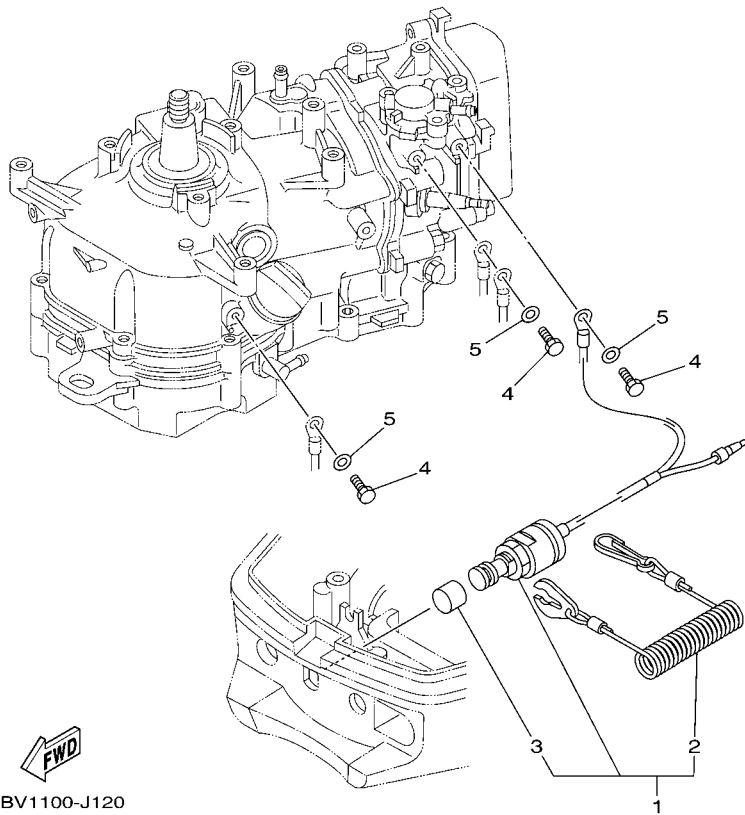
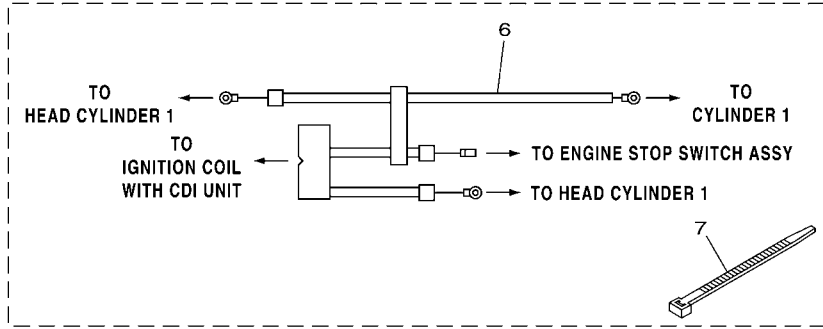


**FIG. 11 GENERATOR**

REF. NO.	PART NO.	DESCRIPTION	6BV2	6BW2	6BX2	REMARKS
1	6BX-85550-00	ROTOR ASSY	1	1	1	
2	6BV-85571-01	IGNITION COIL WITH CDI UNIT	1			
	6BW-85571-01	IGNITION COIL WITH CDI UNIT		1		
	6BX-85571-00	IGNITION COIL WITH CDI UNIT			1	
3	90280-04M06	KEY, WOODRUFF	1	1	1	
4	90170-12066	NUT	1	1	1	
5	90201-12472	WASHER, PLATE	1	1	1	
6	6BX-15723-00	PULLEY, STARTER	1	1	1	
7	90105-06037	BOLT, FLANGE	2	2	2	
8	6BX-82370-00	PLUG CAP ASSY	1	1	1	
9	90480-25161	GROMMET	2	2	2	
10	90465-08361	CLAMP	1	1	1	
11	97095-06012	BOLT	1	1	1	
12	92995-06600	WASHER	1	1	1	



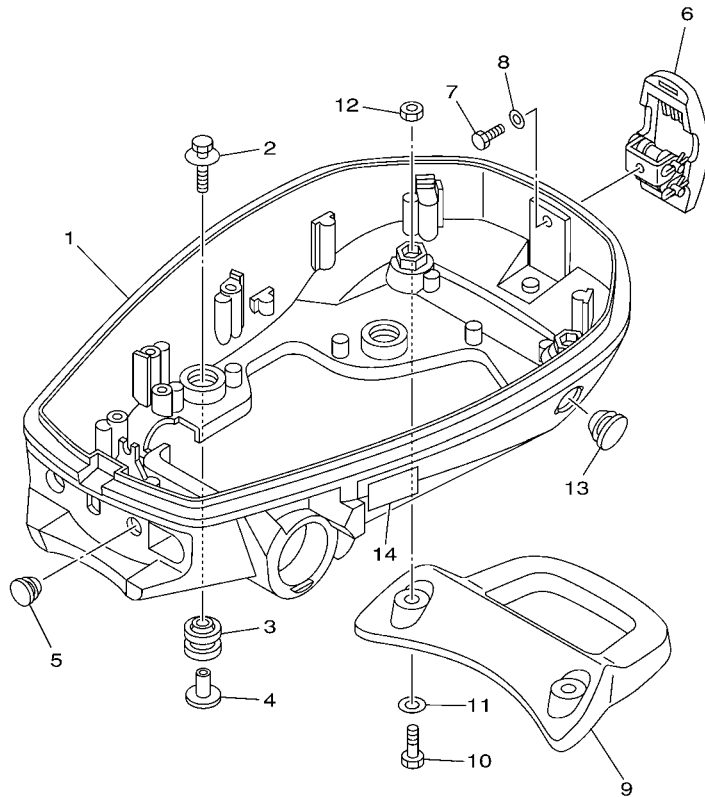
6BV1100-J110



6BV1100-J120

FIG. 12 ELECTRICAL

REF. NO.	PART NO.	DESCRIPTION	6BV2	6BW2	6BX2	REMARKS
1	6BX-82575-00	ENGINE STOP SWITCH ASSY	1	1	1	
2	682-82556-00	.LANYARD, STOP SWITCH	1	1	1	
3	689-8257Y-00	.CAP	1	1	1	
4	97095-06012	BOLT	3	3	3	
5	92995-06600	WASHER	3	3	3	
6	6BX-82531-00	WIRE, LEAD	1	1	1	
7	90465-13M97	CLAMP	4	4	4	



6BV2100-K130

FIG. 13 BOTTOM COWLING

REF. NO.	PART NO.	DESCRIPTION	6BV2	6BW2	6BX2	REMARKS
1	6BX-G2711-00-4D	COWLING, BOTTOM 1	1	1	1	
2	68F-85119-00	BOLT	4	4	4	
3	90480-21M82	GROMMET	4	4	4	
4	90387-06176	COLLAR	4	4	4	
5	90480-14M14	GROMMET	1	1	1	
6	68T-42801-00	COWLING CLAMP COMP.	1	1	1	
7	97095-06012	BOLT	1	1	1	
8	92995-06600	WASHER	1	1	1	
9	6BX-G2731-00	CARRYING HANDLE	1	1	1	
10	97095-08020	BOLT	2	2	2	
11	92995-08600	WASHER	2	2	2	
12	95380-08600	NUT	2	2	2	
13	90480-22M72	GROMMET	1	1	1	
14	6AH-42794-50	LABEL, WARNING (GENERAL)	1	1	1	FOR CAN

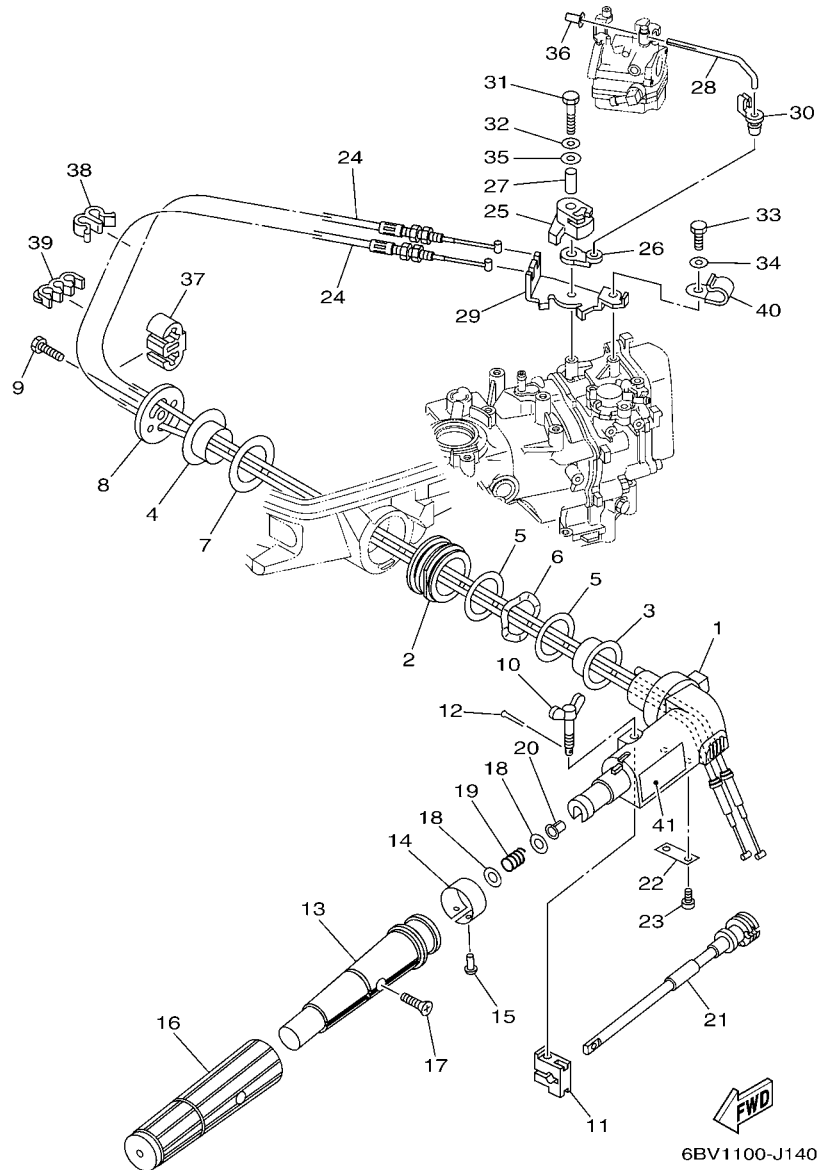
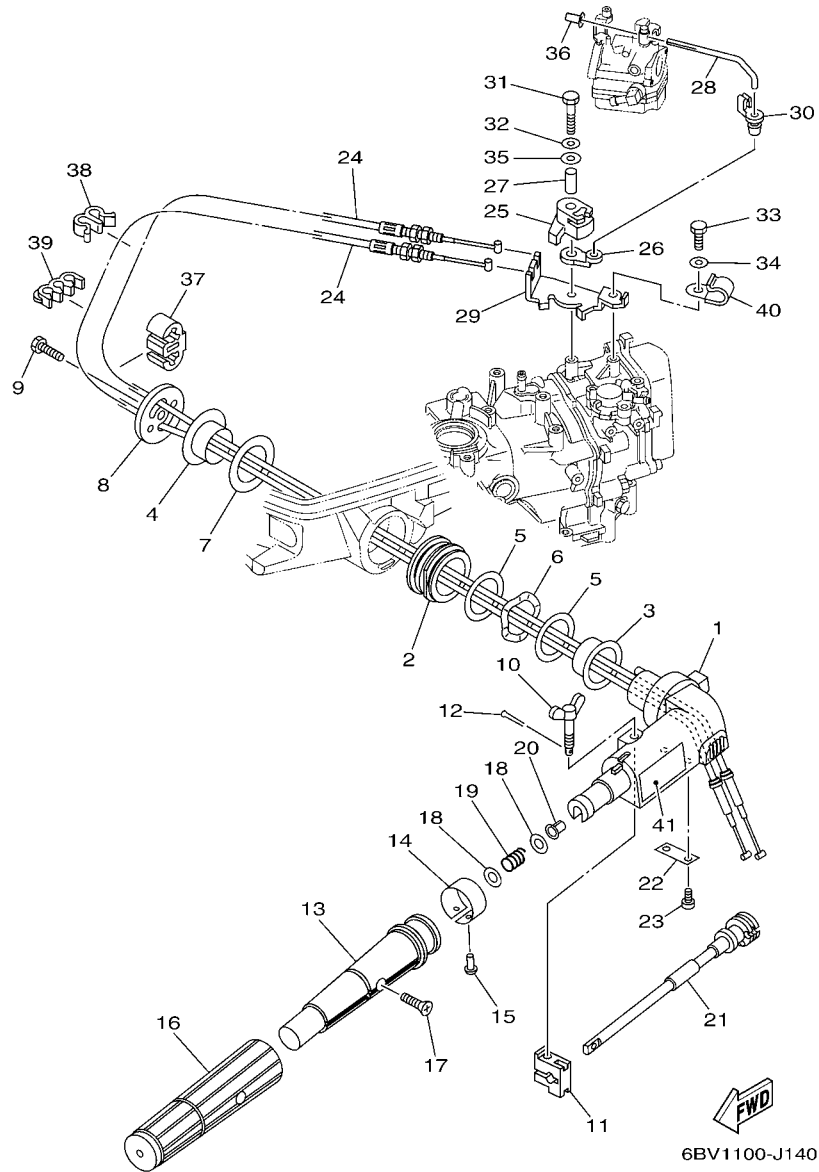


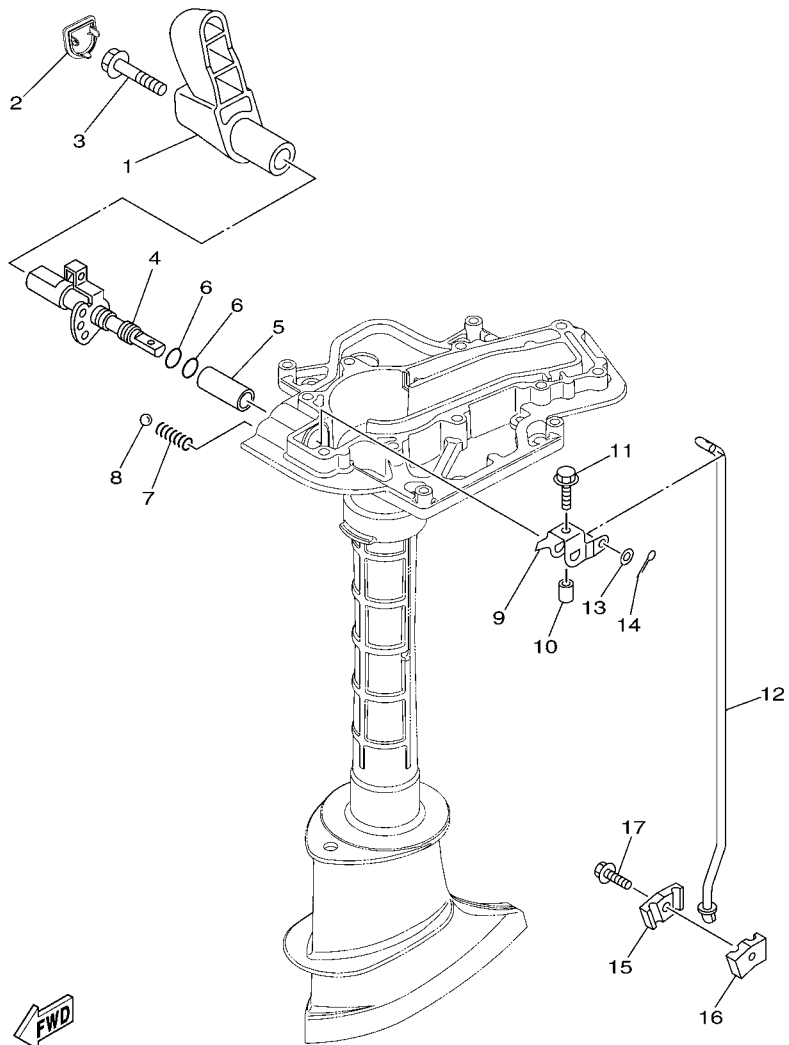
FIG. 14 STEERING

REF. NO.	PART NO.	DESCRIPTION	6BV2	6BW2	6BX2	REMARKS
1	6BX-G2111-00-4D	HANDLE, STEERING	1	1	1	
2	6BX-42129-00	BUSHING, RUBBER	1	1	1	
3	6BX-G2171-00	BUSHING	1	1	1	
4	6BX-G2172-00	BUSHING 2	1	1	1	
5	6BX-G2181-00	WASHER	2	2	2	
6	6BX-G2188-00	WASHER, WAVE	1	1	1	
7	6BX-G2182-00	WASHER 2	1	1	1	
8	6BX-42131-00	COVER, HANDLE STEERING	1	1	1	
9	97075-08025	BOLT	1	1	1	
10	6G1-42125-01	BOLT, FRICTION ADJUSTING	1	1	1	
11	6G1-42126-00	FRICTION, STEERING HANDLE GRIP	1	1	1	
12	91490-16010	PIN. COTTER	1	1	1	
13	68D-G2119-01	GRIP, STEERING HANDLE	1	1	1	
14	60P-G2137-00	INDICATOR, THROTTLE	1	1	1	
15	90269-02M09	RIVET	1	1	1	
16	68D-G2177-10	RUBBER, HANDLE	1	1	1	
17	90152-05011	SCREW, COUNTERSUNK	1	1	1	
18	90201-10M02	WASHER, PLATE	2	2	2	
19	90501-23215	SPRING, COMPRESSION	1	1	1	
20	90386-08032	BUSH	1	1	1	
21	6BX-42138-00	LEVER, THROTTLE	1	1	1	
22	68D-G2159-00	STAY	1	1	1	
23	97885-05012	SCREW, PAN HEAD	2	2	2	
24	6BX-F6301-00	THROTTLE CABLE ASSY	2	2	2	
25	6BX-41638-00	PULLEY	1	1	1	
26	6BX-41283-00	LEVER, FREE ACCEL.	1	1	1	
27	90387-06252	COLLAR	1	1	1	



**FIG. 14 STEERING**

REF. NO.	PART NO.	DESCRIPTION	6BV2	6BW2	6BX2	REMARKS
28	6BX-41211-00	LINK, ACCEL.	1	1	1	
29	6BX-E4497-00	STAY, THROTTLE WIRE	1	1	1	
30	661-41262-02	JOINT, CHOKE LEVER	1	1	1	
31	97095-06035	BOLT	1	1	1	
32	92995-06600	WASHER	1	1	1	
33	97095-06012	BOLT	1	1	1	
34	92995-06600	WASHER	1	1	1	
35	90201-06M62	WASHER, PLATE	1	1	1	
36	647-14395-60	CAP, OVERFLOW PIPE	1	1	1	
37	90464-06006	CLAMP	2	2	2	
38	90464-07M20	CLAMP	1	1	1	
39	90464-07M05	CLAMP	1	1	1	
40	90465-08395	CLAMP	1	1	1	
41	6AH-42794-40	LABEL, WARNING (GENERAL)	1	1	1	

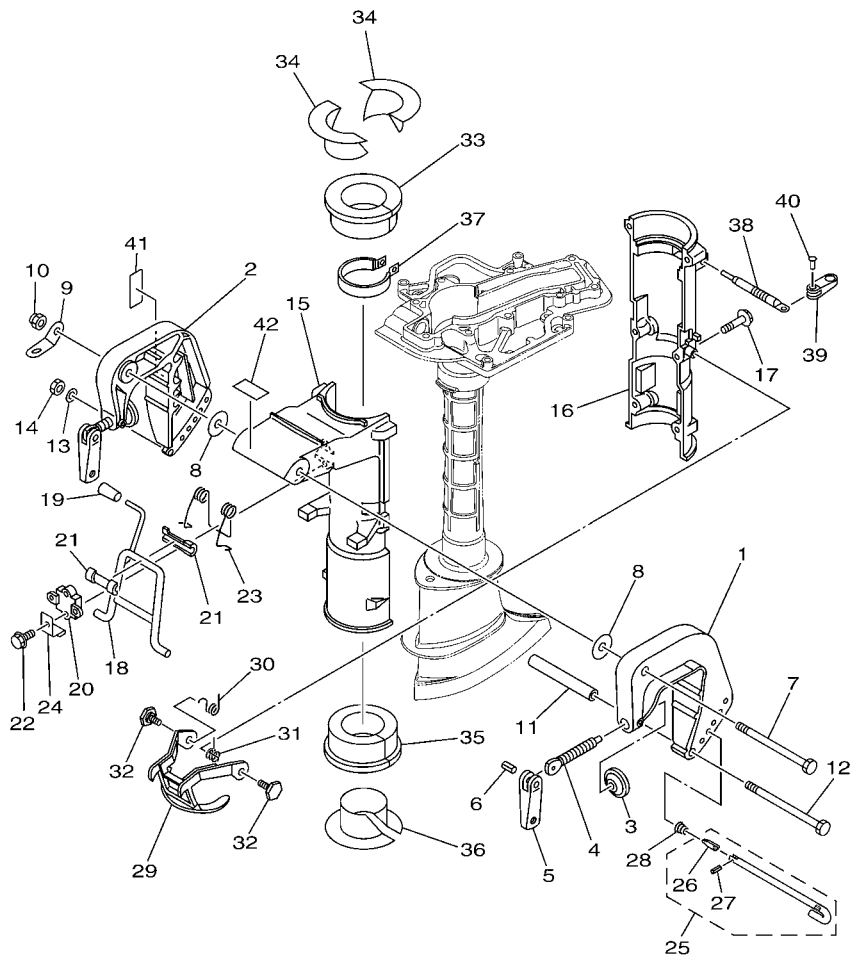


6BV1100-J150

FIG. 15 CONTROL

REF. NO.	PART NO.	DESCRIPTION	6BV2	6BW2	6BX2	REMARKS
1	6BX-G4111-00	HANDLE, GEAR SHIFT	1	1	1	
2	6BX-G3679-00	STOPPER, HOOK	1	1	1	
3	90105-08046	BOLT, FLANGE	1	1	1	
4	6BX-G4119-00-CA	SHAFT, CHANGE	1	1	1	
5	6BX-G4122-00	BUSHING, SHIFT ROD LEVER	1	1	1	
6	93210-09350	O-RING	2	2	2	
7	90501-12802	SPRING, COMPRESSION	1	1	1	
8	93505-16024	BALL	1	1	1	
9	6BX-G4121-00	LEVER, SHIFT ROD	1	1	1	
10	90387-06504	COLLAR	1	1	1	
11	90119-05M04	BOLT, WITH WASHER	1	1	1	
12	6BX-44143-00	ROD, SHIFT	1	1	1	
13	92990-05600	WASHER, PLATE	1	1	1	
14	91490-16010	PIN. COTTER	1	1	1	
15	68D-G4145-00	CONNECTOR, SHIFT ROD	1	1	1	
16	68D-G4146-00	CONNECTOR, SHIFT ROD	1	1	1	
17	90119-06256	BOLT, WITH WASHER	1	1	1	

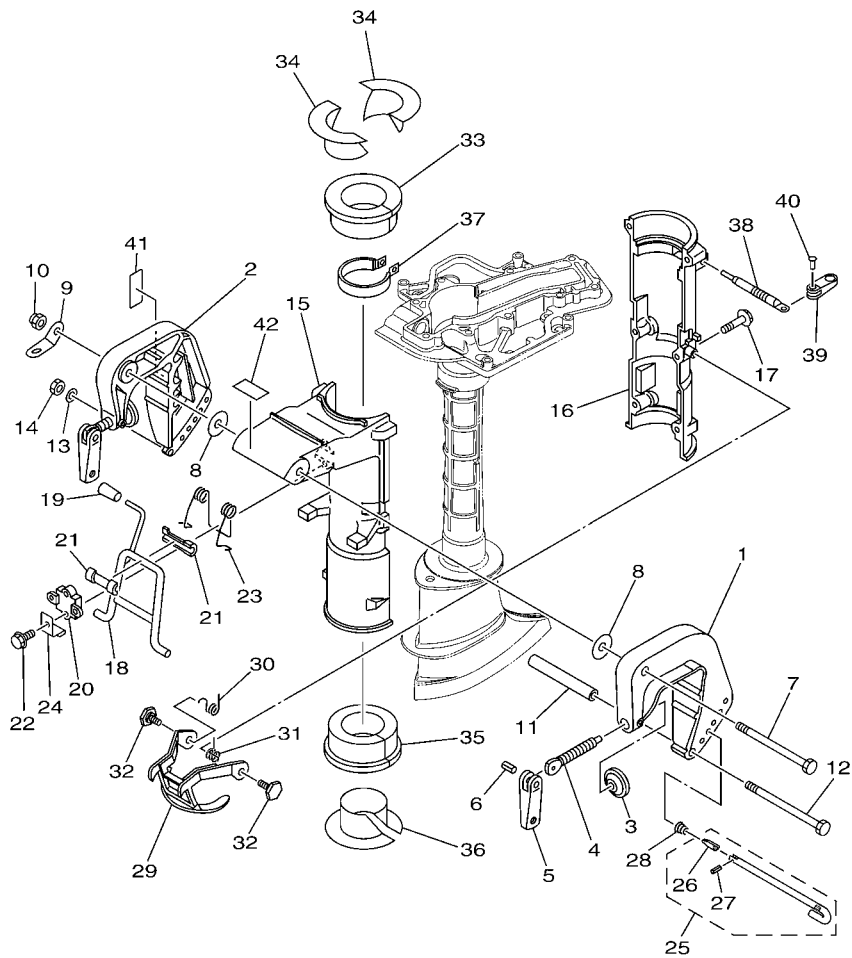




6BV1100-J160

FIG. 16 BRACKET

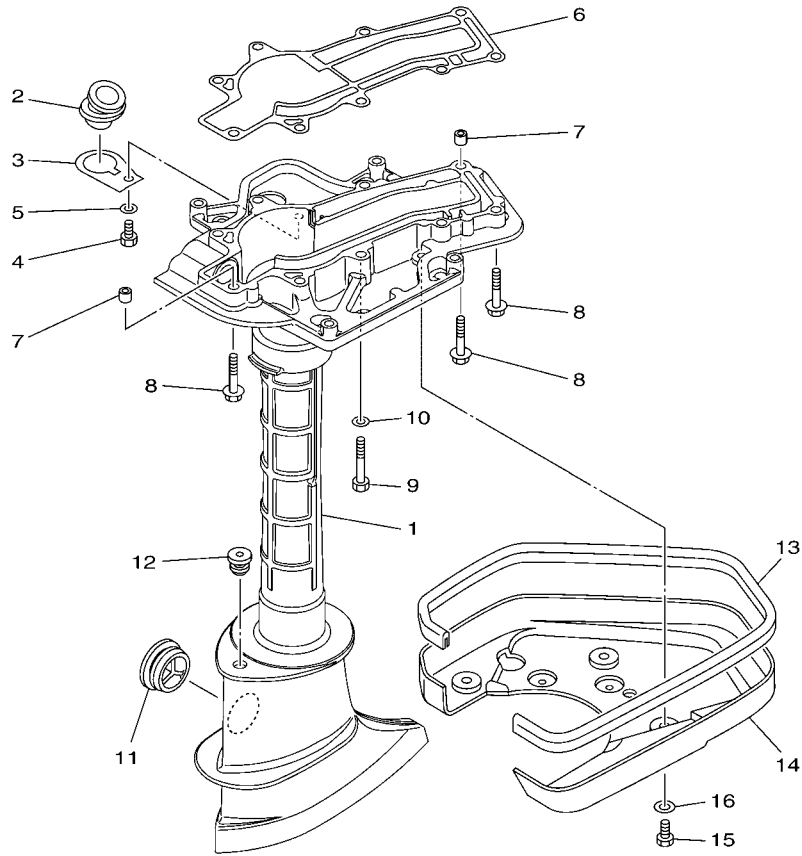
REF. NO.	PART NO.	DESCRIPTION	6BV2	6BW2	6BX2	REMARKS
1	6L8-G3111-01-4D	BRACKET, CLAMP 1	1	1	1	
2	6L8-G3112-00-4D	BRACKET, CLAMP 2	1	1	1	
3	620-43114-00	PAD, TRANSOM CLAMP	2	2	2	
4	6E0-43116-01	SCREW, TRANSOM CLAMP	2	2	2	
5	6L8-G3118-01	HANDLE, TRANSOM CLAMP	2	2	2	
6	90243-04M01	PIN	2	2	2	
7	90101-08M07	BOLT	1	1	1	
8	90202-08M58	WASHER, PLATE	2	2	2	
9	68D-G3113-00	PLATE, CLAMP BRACKET	1	1	1	
10	90185-08057	NUT, SELF-LOCKING	1	1	1	
11	90387-06M11	COLLAR	1	1	1	
12	90101-06335	BOLT	1	1	1	
13	92990-06600	WASHER, PLATE	1	1	1	
14	95380-06600	NUT, HEXAGON	1	1	1	
15	68D-G3311-01-4D	BRACKET, SWIVEL 1	1	1	1	
16	68D-G3312-01-4D	BRACKET, SWIVEL 2	1	1	1	
17	95895-06035	BOLT, FLANGE	6	6	6	
18	6BX-43181-00	LEVER, TILT STOP 1	1	1	1	
19	6E0-43632-00	KNOB, TILT	1	1	1	
20	6E0-43313-00-94	BRACKET, SWIVEL 3	1	1	1	
21	620-43189-00	BUSHING	2	2	2	
22	95895-06020	BOLT, FLANGE	2	2	2	
23	6BX-48561-00	SPRING 1	1	1	1	
24	6BX-G3319-00	PLATE	1	1	1	
25	68D-G3160-00	TILT ROD ASSY	1	1	1	
26	6N0-G3165-00	.PLATE, TILT LOCK	1	1	1	
27	91690-30008	.PIN, SPRING	1	1	1	



6BV1100-J160

FIG. 16 BRACKET

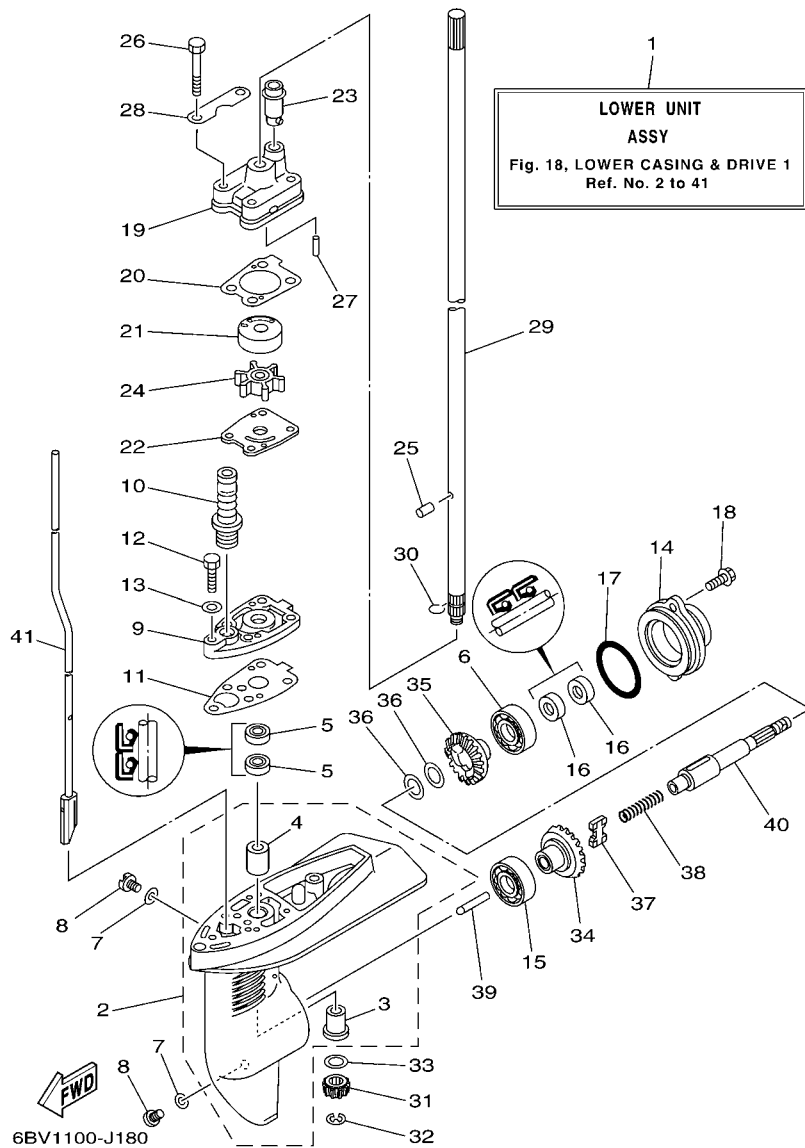
REF. NO.	PART NO.	DESCRIPTION	6BV2	6BW2	6BX2	REMARKS
28	90502-08M05	SPRING, CONICAL	1	1	1	
29	6BX-43614-00	PLATE, TILT LOCK	1	1	1	
30	6BX-43188-00	SPRING	1	1	1	
31	6BX-43198-00	SPRING 2	1	1	1	
32	90109-06M84	BOLT	2	2	2	
33	68D-G2537-00	BUSHING, PIVOT SHAFT	1	1	1	
34	68D-G2539-00	BUSHING, PIVOT SHAFT	2	2	2	
35	6BX-G2538-00	BUSHING, PIVOT SHAFT	1	1	1	
36	6BX-G2549-00	BUSHING, PIVOT SHAFT	1	1	1	
37	6E0-42528-03	PLATE, FRICTION	1	1	1	
38	6L5-42529-01	SCREW, FRICTION PIECE	1	1	1	
39	68D-G2561-01	KNOB, STEERING LOCK	1	1	1	
40	90266-04M05	RIVET	1	1	1	
41	60R-H2377-50	LABEL (SPARK,IGNITION)	1	1	1	FOR CAN
42	6BX-F4591-00	EMBLEM, FUEL COCK	1	1	1	



  
6BV2110-K170

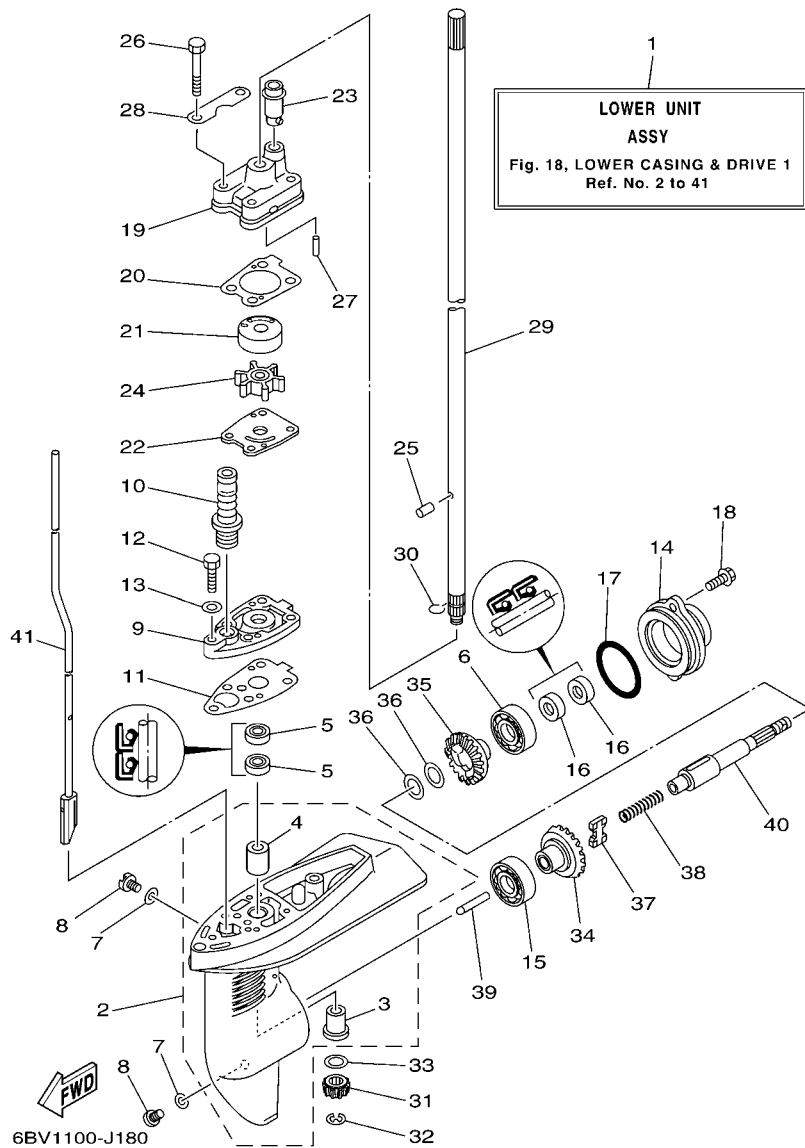
**FIG. 17 UPPER CASING**

REF. NO.	PART NO.	DESCRIPTION	6BV2	6BW2	6BX2	REMARKS
1	6BX-G5111-00-4D	CASING, UPPER	1	1	1	
2	6BX-15316-00	DAMPER 1	1	1	1	
3	6BX-G5321-00	PLATE	1	1	1	
4	97095-06014	BOLT	1	1	1	
5	92995-06600	WASHER	1	1	1	
6	6BX-45113-00	GASKET, UPPER CASING	1	1	1	
7	90387-06806	COLLAR	2	2	2	
8	97575-06540	BOLT, WITH WASHER	5	5	5	
9	97075-06050	BOLT	4	4	4	
10	92995-06600	WASHER	4	4	4	
11	647-45151-01	COVER, UPPER CASING	2	2	2	
12	90480-10M13	GROMMET	1	1	1	
13	6BX-42716-00	RUBBER, SEAL 1	1	1	1	
14	6BX-G2723-00	COVER, BOTTOM	1	1	1	
15	97095-06014	BOLT	4	4	4	
16	92995-06600	WASHER	4	4	4	



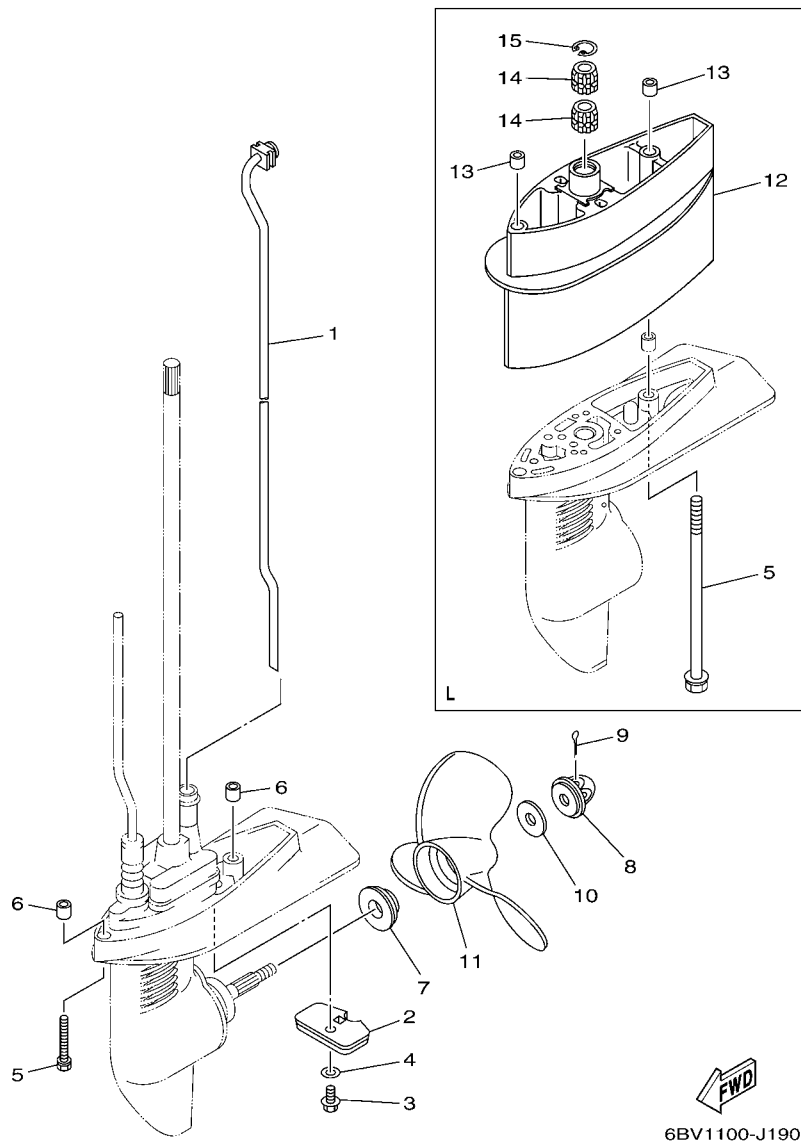
**FIG. 18 LOWER CASING & DRIVE 1**

REF. NO.	PART NO.	DESCRIPTION	6BV2	6BW2	6BX2	REMARKS
1	6BX-G5300-00-4D	LOWER UNIT ASSY	1	1	1	S(17.1")
	6BX-G5300-10-4D	LOWER UNIT ASSY	1	1	1	L(22.1")
2	68D-G5311-00-4D	CASING, LOWER	1	1	1	
3	6E0-45317-09	.BUSHING, DRIVE SHAFT	1	1	1	
4	6E0-45316-09	.BUSHING, DRIVE SHAFT	1	1	1	
5	93101-10M14	OIL SEAL	2	2	2	
6	93306-004YH	BEARING	1	1	1	
7	90430-08020	GASKET	3	3	3	
8	90340-08002	PLUG, STRAIGHT SCREW	3	3	3	
9	68D-G5321-00	PLATE	1	1	1	
10	6L2-44147-00	BOOT, SHIFT ROD	1	1	1	
11	68D-G5315-A0	PACKING, LOWER CASING	1	1	1	
12	97095-06025	BOLT	1	1	1	
13	92995-06600	WASHER	1	1	1	
14	68D-G5361-00-4D	CAP, LOWER CASING	1	1	1	
15	93306-004YH	BEARING	1	1	1	
16	93101-13M12	OIL SEAL	2	2	2	
17	93210-48214	O-RING	1	1	1	
18	95895-06016	BOLT, FLANGE	2	2	2	
19	6BX-44311-00	HOUSING, WATER PUMP	1	1	1	
20	6BX-G4315-01	GASKET, WATER PUMP	1	1	1	
21	6BX-44322-00	INSERT, CARTRIDGE	1	1	1	
22	6BX-44323-00	OUTER PLATE, CARTRIDGE	1	1	1	
23	67D-44366-00	DAMPER, WATER SEAL 2	1	1	1	
24	6E0-44352-00	IMPELLER	1	1	1	
25	93604-09066	PIN, DOWEL	1	1	1	
26	97095-06045	BOLT	4	4	4	



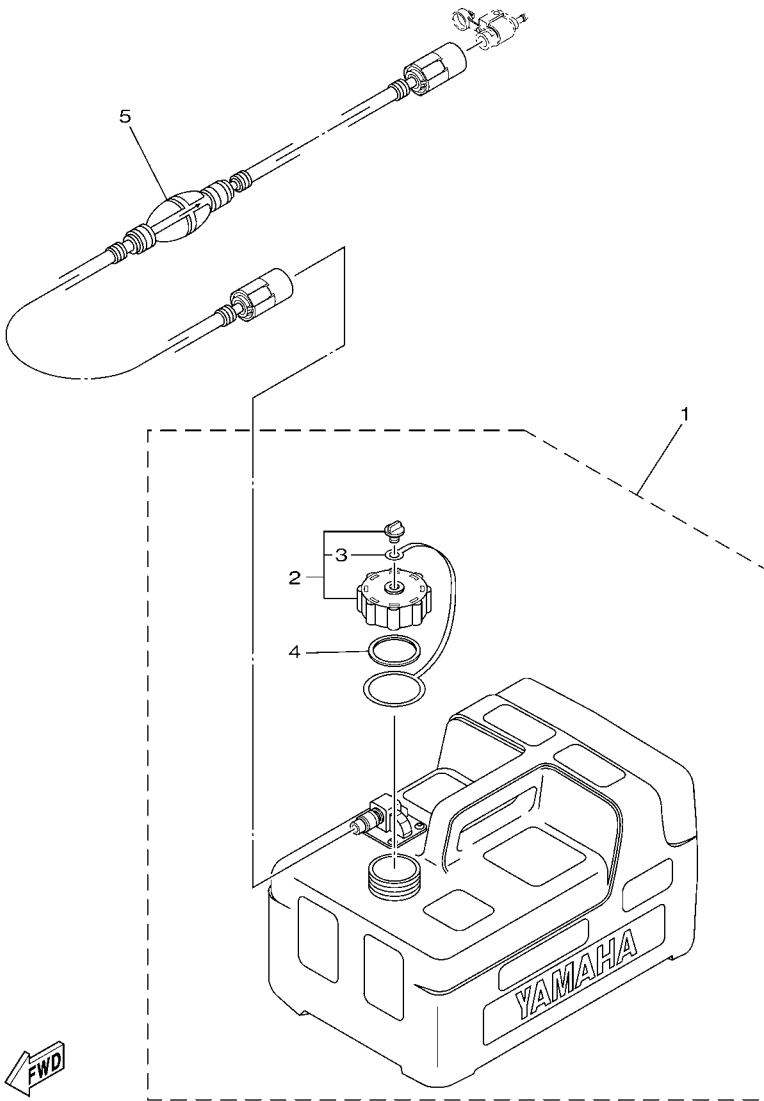
**FIG. 18 LOWER CASING & DRIVE 1**

REF. NO.	PART NO.	DESCRIPTION	6BV2	6BW2	6BX2	REMARKS
27	93604-18080	PIN, DOWEL	2	2	2	
28	68D-G4328-00	PLATE	2	2	2	
29	68D-G5511-00	SHAFT, DRIVE	1	1	1	S(17.1")
	68D-G5511-10	SHAFT, DRIVE	1	1	1	L(22.1")
30	90467-08M01	CLIP	1	1	1	
31	6BX-45551-00	PINION (13T)	1	1	1	
32	99001-06600	CIRCLIP	1	1	1	
33	90201-11M49	WASHER, PLATE	1	1	1	
34	67D-45560-00	GEAR 1 (27T)	1	1	1	
35	67D-45570-00	GEAR 2 (27T)	1	1	1	
36	67D-45576-00	WASHER, THRUST 2	2	2	2	
37	67D-45631-01	CLUTCH, DOG	1	1	1	
38	90501-120A9	SPRING, COMPRESSION	1	1	1	
39	67D-45635-00	PLUNGER, SHIFT	1	1	1	
40	68D-G5611-10	SHAFT, PROPELLER	1	1	1	
41	6BX-G4150-00	SHIFT CAM ASSY	1	1	1	S(17.1")
	6BX-G4150-10	SHIFT CAM ASSY	1	1	1	L(22.1")



**FIG. 19 LOWER CASING & DRIVE 2**

REF. NO.	PART NO.	DESCRIPTION	6BV2	6BW2	6BX2	REMARKS
1	6BX-G4360-00	WATER TUBE ASSY	1	1	1	S(17.1")
	6BX-G4360-10	WATER TUBE ASSY	1	1	1	L(22.1")
2	68D-G5251-00	ANODE	1	1	1	
3	95895-06012	BOLT, FLANGE	1	1	1	
4	92990-06300	WASHER, INTERNAL TOOTH	1	1	1	
5	90119-06253	BOLT, WITH WASHER	2	2	2	S(17.1")
	90119-06254	BOLT, WITH WASHER	2	2	2	L(22.1")
6	90387-06806	COLLAR	2	2	2	
7	68D-G5987-00	SPACER 1	1	1	1	
8	6L5-45616-00	NUT, PROPELLER	1	1	1	
9	91490-25030	PIN, COTTER	1	1	1	
10	90201-08M54	WASHER, PLATE	1	1	1	
11	6E0-45941-01-EL	PROPELLER (3X7-1/2"X8"-BA)	1	1	1	UR
	6E0-45943-01-EL	PROPELLER (3X7-1/2"X7"-BA)	1	1	1	UR
	6E0-45949-00-EL	PROPELLER (3X7-1/4"X6-1/2"-BA)	1	1	1	UR
	6E0-45952-00-EL	PROPELLER (3X7-1/4"X8-1/4"-BA)	1	1	1	UR
	6E0-45954-00	PROPELLER (3X7-1/2"X9"-BA)	1	1	1	AP
12	6BX-G5211-00-4D	EXTENSION	1	1	1	L(22.1")
13	90387-06806	COLLAR	2	2	2	L(22.1")
14	6BX-45318-01	BUSHING, DRIVE SHAFT	2	2	2	L(22.1")
15	93420-22M03	CIRCLIP	1	1	1	L(22.1")



6AU5100-L280

FIG. 20 FUEL TANK

REF. NO.	PART NO.	DESCRIPTION	6BV2	6BW2	6BX2	REMARKS
1	6YL-24201-21	FUEL TANK ASSY (12L)	1		1	AP FOR CAN Go to P/N : PE0-OM-120028
2	6YL-24610-10	.CAP ASSY	1	1		
3	6YL-24641-10	..GASKET, CAP 1	1	1		
4	6YL-24629-00	.RING	1	1		
5	6YL-24306-71	FUEL PIPE COMP. 1	1	1		AP FOR CAN Go to P/N : PE0-OM-120028

# PARTS NEWS



News No. PE0-OM-120028 (1/2)

Date:2012/5/28

Signature:S.Ishibashi

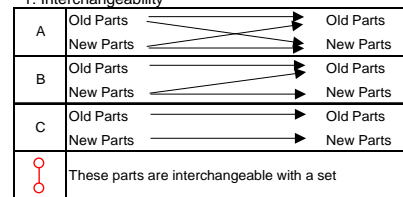
Cause :  Revision Notice  Correction  Sales Unit Change  Others

Model	F4MHA (6BV2) / F6MHA (6BX2)
Subject	PARTS CATALOGUE CORRECTIONS
CATALOGUE NO.	1K6BV-100E1
Time of YPEC Revision	Text, Illustration --> Jun./29/2012 PDF Replace --> Jun./29/2012 (YPEC = Yamaha Parts Electrical Catalogue = Website parts catalogue )

Applicable Engine Serial No.

MODEL NAME	MODEL CODE	Applicable Engine Serial No.
F4MHA	6BV2	6BV:1013483-
F6MHA	6BX2	6BX:1012434-

\*1: Interchangeability

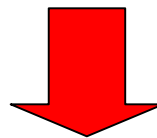


## FIG.20 FUEL TANK

### 1. LIST CORRECTION

#### OLD

Fig. No.	Ref. No.	PART NO.	DESCRIPTION	6BV2	6BV2	6BV2	REMARKS
20	1	6YL-24201-05	FUEL TANK ASSY (12L)	1		1	AP FOR CAN
	2	6YL-24610-01	. CAP ASSY	1		1	
	3	6YL-24260-01	. FUEL METER ASSY	1		1	
	4	90157-05M16	. SCREW, PAN HEAD	4		4	
	5	6YL-24329-00	. SEAL	4		4	
	6	6YL-24268-01	. GASKET, FUEL METER	1		1	
	7	6YL-24306-60	FUEL PIPE COMP. 1	1		1	AP FOR CAN



#### NEW

20	1	6YL-24201-21	FUEL TANK ASSY (12L)	1		1	AP FOR CAN
	2	6YL-24610-10	. CAP ASSY	1		1	
	3	6YL-24641-10	.. GASKET, CAP 1	1		1	
	4	6YL-24629-00	. RING	1		1	
	5	6YL-24306-71	FUEL PIPE COMP. 1	1		1	AP FOR CAN

Parts Manager Check

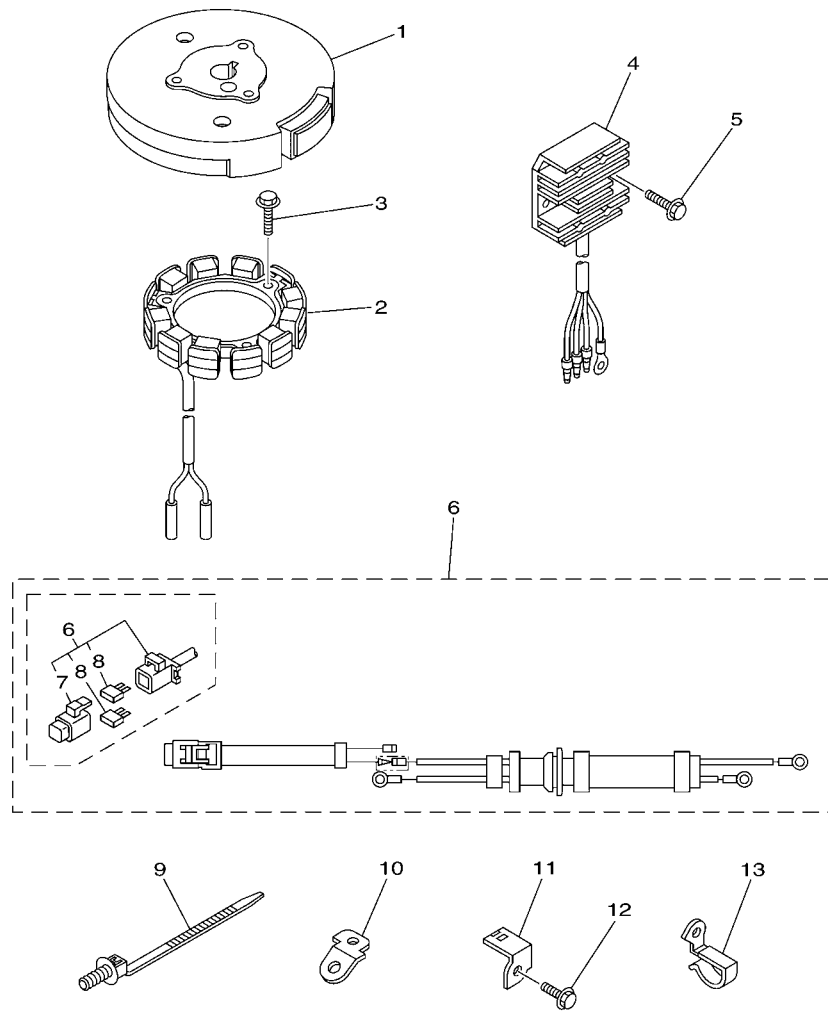
Service Manager Check

Parts Manager File

YAMAHA MOTOR CO.,LTD  
2500 Shingai Iwata Shizuoka 438-8501.Japan  
Technical Publication Dept.





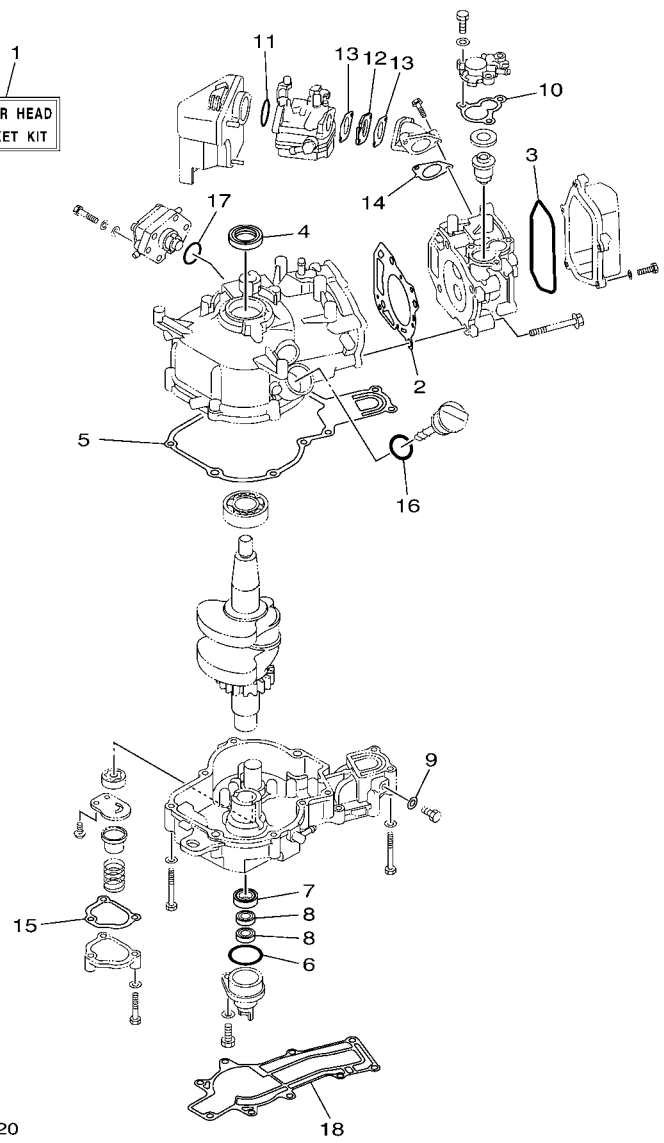


6BV1100-J210

FIG. 21 OPTIONAL PARTS

REF. NO.	PART NO.	DESCRIPTION	6BV2	6BW2	6BX2	REMARKS
1	6BX-85550-A0	ROTOR ASSY	1		1	AP FOR CAN
2	6BX-85510-A0	LIGHTING COIL ASSY	1		1	AP FOR CAN
3	97595-06520	BOLT, WITH WASHER	3		3	AP FOR CAN
4	6BX-81960-00	RECTIFIER & REGULATOR ASSY	1		1	AP FOR CAN
5	97595-06516	BOLT, WITH WASHER	2		2	AP FOR CAN
6	6BX-81949-00	WIRE, LEAD	1		1	AP FOR CAN
7	67F-8215B-00	.CAP (BLACK)	1		1	
8	67F-82151-00	.FUSE (20A)	2		2	
9	90464-30009	CLAMP	1		1	AP FOR CAN
10	6BX-82581-00	STAY, CORD CLAMP	1		1	AP FOR CAN
11	6BX-82388-00	PLATE	1		1	AP FOR CAN
12	90109-06M80	BOLT	1		1	AP FOR CAN
13	90465-08371	CLAMP	1		1	AP FOR CAN

1  
POWER HEAD  
GASKET KIT

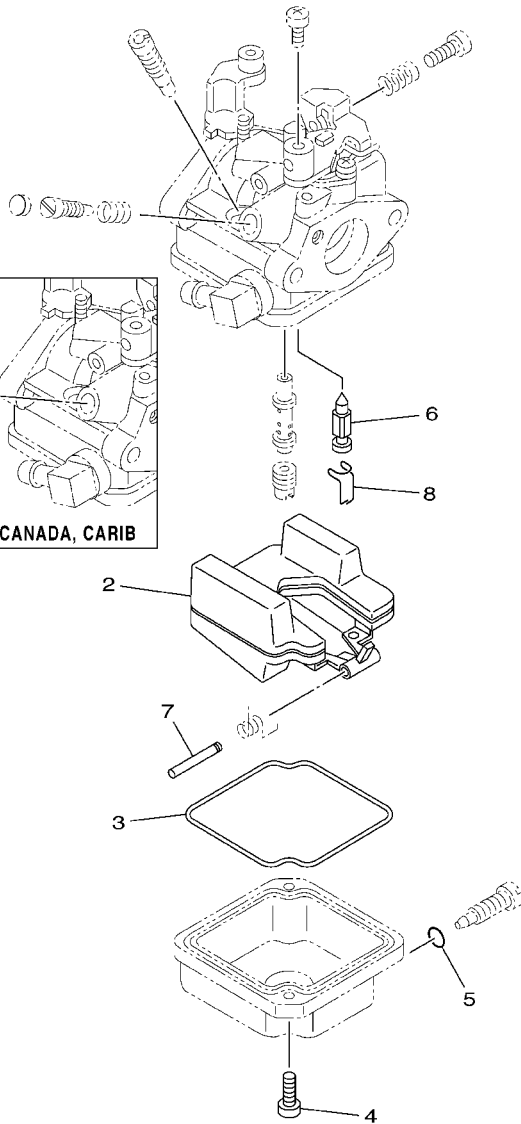
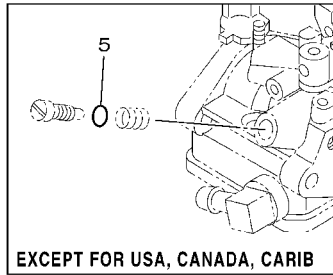


6BV1100-J220

FIG. 22 REPAIR KIT 1

REF. NO.	PART NO.	DESCRIPTION	6BV2	6BW2	6BX2	REMARKS
1	6BX-WE001-00	POWER HEAD GASKET KIT	1	1	1	
2	6BX-11181-00	.GASKET, CYLINDER HEAD 1	1	1	1	
3	6BX-11356-00	.SEAL, CYLINDER 2	1	1	1	
4	93102-25022	.OIL SEAL	1	1	1	
5	6BX-11351-00	.GASKET, CYLINDER	1	1	1	
6	93210-35537	.O-RING	1	1	1	
7	93102-20108	.OIL SEAL	1	1	1	
8	93102-10004	.OIL SEAL	2	2	2	
9	90430-08800	.GASKET	1	1	1	
10	68D-E2414-A0	.GASKET, COVER	1	1	1	
11	93210-320A7	.O-RING	1	1	1	
12	6BX-E3647-00	.GASKET, MANIFOLD 3	1	1	1	
13	6BX-E3646-00	.GASKET, MANIFOLD 2	2	2	2	
14	6BX-E3645-00	.GASKET, MANIFOLD 1	1	1	1	
15	6BX-E3475-00	.GASKET	1	1	1	
16	93210-24M79	.O-RING	1	1	1	
17	93210-27ME3	.O-RING	1	1	1	
18	6BX-45113-00	.GASKET, UPPER CASING	1	1	1	

1  
CARBURETOR  
REPAIR KIT



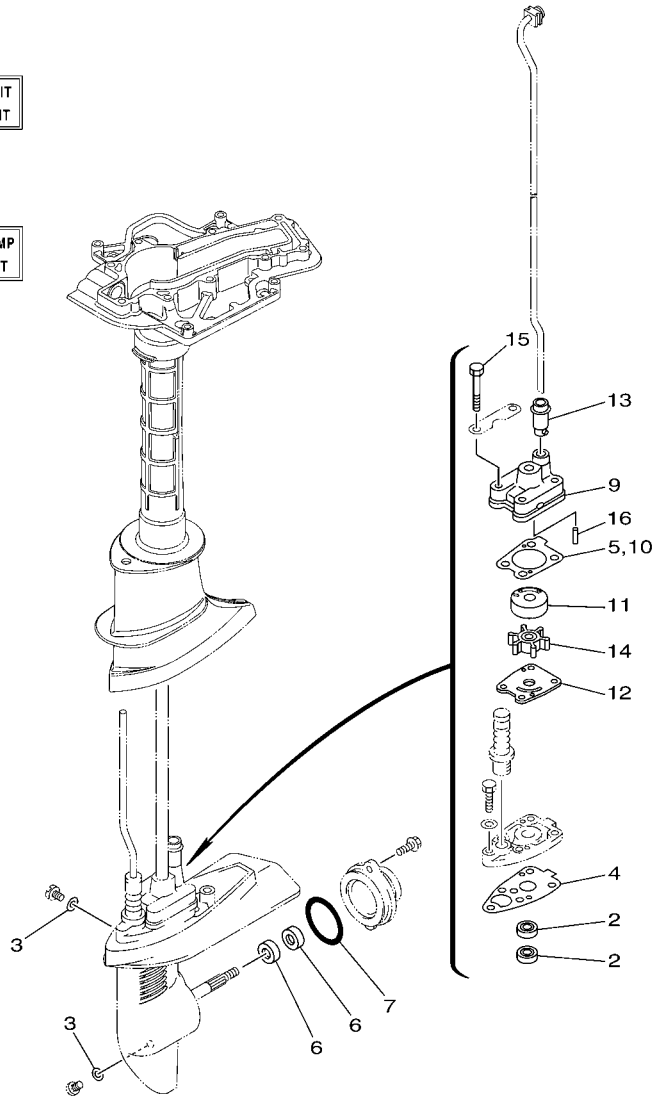
6BV1100-J231

FIG. 23 REPAIR KIT 2

REF. NO.	PART NO.	DESCRIPTION	6BV2	6BW2	6BX2	REMARKS
1	6BX-W0093-00	CARBURETOR REPAIR KIT	1	1	1	
2	6BX-14985-00	.FLOAT	1	1	1	
3	6BX-14984-00	.GASKET, FLOAT CHAMBER	1	1	1	
4	6BX-14592-00	.SCREW	2	2	2	
5	4JH-14562-00	.O-RING	2	2	2	
6	6BX-14546-00	.VALVE, NEEDLE	1	1	1	
7	6BX-14548-00	.PIN, FLOAT ARM	1	1	1	
8	6BX-14937-00	.CLIP	1	1	1	
-----						
-----						
-----						
-----						
-----						
-----						
-----						
-----						
-----						

1  
LOWER UNIT  
GASKET KIT

8  
WATER PUMP  
REPAIR KIT



6BV1100-J240

FIG. 24 REPAIR KIT 3

REF. NO.	PART NO.	DESCRIPTION	6BV2	6BW2	6BX2	REMARKS
1	6BX-WG001-20	LOWER UNIT GASKET KIT	1	1	1	
2	93101-10M14	.OIL SEAL	2	2	2	
3	90430-08020	.GASKET	3	3	3	
4	68D-G5315-A0	.PACKING, LOWER CASING	1	1	1	
5	6BX-G4315-01	.GASKET, WATER PUMP	1	1	1	
6	93101-13M12	.OIL SEAL	2	2	2	
7	93210-48214	.O-RING	1	1	1	
8	6BX-WG078-00	WATER PUMP REPAIR KIT	1	1	1	
9	6BX-44311-00	.HOUSING, WATER PUMP	1	1	1	
10	6BX-G4315-01	.GASKET, WATER PUMP	1	1	1	
11	6BX-44322-00	.INSERT, CARTRIDGE	1	1	1	
12	6BX-44323-00	.OUTER PLATE, CARTRIDGE	1	1	1	
13	67D-44366-00	.DAMPER, WATER SEAL 2	1	1	1	
14	6E0-44352-00	.IMPELLER	1	1	1	
15	97095-06045	.BOLT	4	4	4	
16	93604-18080	.PIN, DOWEL	2	2	2	

NUMERICAL INDEX

PART NO.	REF. NO.	PART NO.	REF. NO.	PART NO.	REF. NO.	PART NO.	REF. NO.	PART NO.	REF. NO.	PART NO.	REF. NO.
67D-11133-10	2 - 3	6BX-14592-00	23 - 4	68T-24251-01	9 - 13	6AH-42794-40	14 - 41	6AH-81995-50	10 - 29	6BX-E3645-00	6 - 12
6BX-11181-00	2 - 6	6BW-14923-10	7 - 6	6YL-24260-01	20 - 3	6AH-42794-50	13 - 14	67F-82151-00	21 - 8		22 - 14
	22 - 2	6BX-14923-10	7 - 6	6YL-24268-01	20 - 6	68T-42801-00	13 - 6	67F-8215B-00	21 - 7	6BX-E3646-00	6 - 8
6BX-11351-00	4 - 8	6BW-14923-20	7 - 6	6G1-24304-02	9 - 1	620-43114-00	16 - 3	6A0-82317-00	8 - 4		22 - 13
	22 - 5	6BX-14923-20	7 - 6	6YL-24309-00	20 - 7	6E0-43116-01	16 - 4	6BX-82370-00	11 - 8	6BX-E3647-00	6 - 7
6BX-11356-00	2 - 8	6BX-14935-00	7 - 9	6YL-24329-00	20 - 5	6BX-43181-00	16 - 18	6BX-82377-00	10 - 27		22 - 12
	22 - 3	6BX-14937-00	7 - 15	6BX-24360-00	9 - 41	6BX-43188-00	16 - 30	6BX-82388-00	21 - 11	6BX-E3971-00	9 - 49
676-11372-00	4 - 12		23 - 8	66M-24374-00	9 - 29	620-43189-00	16 - 21	6GO-82519-00	2 - 25	6BX-E4427-40	10 - 31
6BX-11633-00	3 - 7	6BV-14943-11	7 - 16	650-24378-00	2 - 14	6BX-43198-00	16 - 31	6BX-82531-00	12 - 6	6BX-E4427-50	10 - 31
6BX-11650-00	3 - 3	6BW-14943-15	7 - 16		4 - 11	6E0-43313-00-94	16 - 20	682-82556-00	12 - 2	6BX-E4497-00	14 - 29
67D-11654-00	3 - 4	6BX-14943-17	7 - 16	688-24378-00	9 - 17	6BX-43614-00	16 - 29	6BX-82575-00	12 - 1	6BX-E5111-00-1S	4 - 10
6BX-12111-00	5 - 2	6BV-14947-00	7 - 5	6E9-24378-00	4 - 2	6E0-43632-00	16 - 19	689-8257Y-00	12 - 3	68D-E5362-00	4 - 37
60R-12113-00	5 - 5	6BW-14947-00	7 - 5	6BX-24410-00	9 - 21	6BX-44143-00	15 - 12	6BX-82581-00	21 - 10	68D-E5396-00-5B	4 - 15
68T-12116-00	5 - 6	6BX-14947-00	7 - 5	6BX-24411-00	9 - 26	6L2-44147-00	18 - 10	68F-44119-00	13 - 2	6BX-E5770-00	10 - 25
7NJ-12117-00	5 - 7	6BV-14948-01	7 - 17	67D-24412-00	9 - 22	6BX-44311-00	18 - 19	6BX-85510-A0	21 - 2	6BX-F247A-00	9 - 45
7NJ-12118-00	5 - 8	6BX-14948-04	7 - 17	67D-24413-02	9 - 23		24 - 9	6BX-85550-00	11 - 1	6BX-F247B-00	9 - 39
51Y-12119-00	5 - 4	6BX-14980-00	7 - 3	67D-24414-01	9 - 31	6BX-44322-00	18 - 21	6BX-85550-A0	21 - 1	6BX-F247C-00	9 - 14
6AU-12121-00	5 - 3	6BX-14984-00	7 - 4	6A0-24421-01	9 - 24		24 - 11	6BX-85571-00	11 - 2	6BX-F247D-00	9 - 18
67D-12151-00	5 - 9		23 - 3	67D-24423-00	9 - 27	6BX-44323-00	18 - 22	6BV-85571-01	11 - 2	6BX-F4111-00	8 - 1
JA9-12153-00	5 - 15	6BX-14985-00	7 - 2	67D-24444-00	9 - 33		24 - 12	6BW-85571-01	11 - 2	6BX-F4311-00	8 - 8
6BX-12154-00	5 - 14		23 - 2	6BX-24454-00	9 - 30	6E0-44352-00	18 - 24	6BX-E1111-00-1S	2 - 2	6BX-F4312-00	9 - 6
67D-12157-00	5 - 12	6BX-14991-00	7 - 10	66M-24471-01	9 - 32		24 - 14	6BX-E1168-00	4 - 6	6BX-F4313-00	9 - 10
7FK-12158-00	5 - 11	6BX-15316-00	17 - 2	6BX-24500-00	9 - 8	67D-44366-00	18 - 23	6BX-E1191-00-5B	2 - 7	6BX-F4314-00	6 - 4
7FK-12165-00	5 - 10	3Y6-15361-00	4 - 3	6BX-24610-00	8 - 2		24 - 13	6BX-E1311-00-1S	4 - 1	6BX-F4323-00	2 - 20
66M-12411-01	2 - 11	6BX-15705-00	10 - 8	6YL-24610-01	20 - 2	6BX-45113-00	17 - 6	68D-E1325-00	2 - 15	60R-F4329-00	9 - 2
688-12412-00	2 - 12	6BX-15710-00	10 - 1	6BX-24641-00	8 - 3		22 - 18	6BX-E1410-00	3 - 1	6BX-F4591-00	16 - 42
6BX-13131-00	9 - 28	6BX-15711-00	10 - 2	6BX-2476U-00	9 - 5	647-45151-01	17 - 11	6BX-E1603-00	3 - 6	6BX-F6301-00	14 - 24
51Y-13411-00	4 - 28	67D-15713-00	10 - 7	6BX-41211-00	14 - 28	6E0-45316-09	18 - 4	6BX-E1604-00	3 - 6	6BX-F6330-01	6 - 14
6BX-14301-00	7 - 1	67D-15714-00	10 - 5	661-41262-02	14 - 30	6E0-45317-09	18 - 3	6BX-E1605-00	3 - 6	6BX-F6333-00	6 - 15
6BV-14301-01	7 - 1	6BX-15723-00	11 - 6	6BX-41283-00	14 - 26	6BX-45318-01	19 - 14	6BX-E1631-00-96	3 - 5	6BX-F8100-00	9 - 51
6BW-14301-01	7 - 1	67D-15734-00	10 - 14	6BX-41638-00	14 - 25	6BX-45551-00	18 - 31	6BX-E1635-00	3 - 5	6BX-G2111-00-4D	14 - 1
6BX-14301-10	7 - 1	67D-15735-00	10 - 10	6G1-42125-01	14 - 10	67D-45560-00	18 - 34	6BX-E1636-00	3 - 5	68D-G2119-01	14 - 13
6BV-14301-11	7 - 1	67D-15739-00	10 - 18	67D-42126-00	14 - 11	67D-45570-00	18 - 35	6BX-E2155-00	5 - 13	6BX-G2134-00	1 - 10
6E7-14325-00	9 - 25	67D-15741-00	10 - 6	6BX-42129-00	14 - 2	67D-45576-00	18 - 36	6BX-E2170-00	5 - 1	60P-G2137-00	14 - 14
6BX-1432A-00	7 - 20	67D-15744-00	10 - 19	6BX-42131-00	14 - 8	6L5-45616-00	19 - 8	68D-E2413-00-1S	2 - 13	68D-G2159-00	14 - 22
647-14395-60	14 - 36	6G1-15755-00	10 - 16	6BX-42138-00	14 - 21	67D-45631-01	18 - 37	68D-E2414-A0	2 - 17	6BX-G2171-00	14 - 3
6BX-14440-00	6 - 1	6BX-15762-00	10 - 20	6E0-42528-03	16 - 37	67D-45635-00	18 - 39		22 - 10	6BX-G2172-00	14 - 4
6BX-14523-00	7 - 7	63V-15764-00	10 - 12	6L5-42529-01	16 - 38	6E0-45941-01-EL	19 - 11	6BX-E3151-00	6 - 16	68D-G2177-10	14 - 16
6BX-14546-00	7 - 13	67D-15764-00	10 - 4	6BX-42615-00	1 - 6	6E0-45943-01-EL	19 - 11	6BX-E316F-00	6 - 5	6BX-G2181-00	14 - 5
	23 - 6	67D-15767-00	10 - 9	68T-42649-00	1 - 9	6E0-45949-00-EL	19 - 11	6BX-E3310-00	4 - 25	6BX-G2182-00	14 - 7
6BX-14548-00	7 - 14	6G1-15779-00	10 - 17	60R-42652-00	1 - 7	6E0-45952-00-EL	19 - 11	6BX-E3316-00	4 - 26	6BX-G2188-00	14 - 6
	23 - 7	67D-15793-00	10 - 11	6BV-42677-00	1 - 12	6E0-45954-00	19 - 11	6BX-E3417-00-1S	4 - 31	68D-G2537-00	16 - 33
6BX-14555-00	7 - 8	67D-15794-01	10 - 13	6BW-42677-00	1 - 12	6BX-48561-00	16 - 23	60R-E3434-00	1 - 15	6BX-G2538-00	16 - 35
6BX-14556-00	7 - 18	63V-15795-01	10 - 3	6BX-42677-00	1 - 12	6BX-81949-00	21 - 6	6BX-E3437-40	10 - 30	68D-G2539-00	16 - 34
4JH-14562-00	7 - 12	6BX-24135-00	9 - 42	6BX-42697-10	1 - 13	6BX-81960-00	21 - 4	6BX-E3437-50	10 - 30	6BX-G2549-00	16 - 36
	23 - 5	6BX-24136-00	9 - 43	6S7-42698-40	1 - 16	6AH-81994-40	10 - 32	6BX-E3475-00	4 - 30	68D-G2561-01	16 - 39
6BX-14592-00	7 - 11	6YL-24201-05	20 - 1	6S7-42698-50	1 - 17	6AH-81994-50	10 - 33		22 - 15	6BV-G2610-10	1 - 1
				6BX-42716-00	17 - 13	6AH-81995-40	10 - 28	6BX-E3641-10-94	6 - 11	6BW-G2610-10	1 - 1

NUMERICAL INDEX

PART NO.	REF. NO.	PART NO.	REF. NO.	PART NO.	REF. NO.	PART NO.	REF. NO.	PART NO.	REF. NO.	PART NO.	REF. NO.
6BX-G2610-10	1 - 1	6BX-WE001-00	22 - 1	90430-08020	18 - 7	92903-06600	4 - 14	93306-205B2	4 - 5	97885-05012	14 - 23
6BX-G2613-10	1 - 2	6BX-WE090-00-1S	2 - 1		24 - 3		4 - 24	93420-22M03	19 - 15	98517-06012	4 - 27
6BX-G2651-00	1 - 4	6BX-WG001-20	24 - 1	90430-08800	4 - 22	92990-05600	15 - 13	93450-16068	3 - 8	98580-04006	7 - 19
6BX-G2711-00-4D	13 - 1	6BX-WG078-00	24 - 8		22 - 9	92990-06300	19 - 4	93505-16024	15 - 8	99001-06600	18 - 32
6BX-G2723-00	17 - 14	90101-06335	16 - 12	90464-06006	14 - 37	92990-06600	16 - 13	93604-09066	18 - 25	99510-10114	2 - 5
6BX-G2731-00	13 - 9	90101-08M07	16 - 7	90464-07008	10 - 26	92995-05600	6 - 18	93604-18080	18 - 27		4 - 9
6L8-G3111-01-4D	16 - 1	90105-06037	11 - 7	90464-07M05	14 - 39	92995-06100	9 - 37		24 - 16		
6L8-G3112-00-4D	16 - 2	90105-08046	15 - 3	90464-07M20	14 - 38	92995-06600	2 - 10	94702-00372	2 - 26		
68D-G3113-00	16 - 9	90105-08M36	2 - 4	90464-09021	2 - 21		2 - 19	95380-04600	9 - 34		
6L8-G3118-01	16 - 5	90105-08M76	4 - 32		9 - 46		4 - 35	95380-06600	16 - 14		
68D-G3160-00	16 - 25	90109-06M80	9 - 44	90464-12224	9 - 12		9 - 4	95380-08600	13 - 12		
6N0-G3165-00	16 - 26		21 - 12	90464-30009	21 - 9		9 - 38	95895-06012	19 - 3		
68D-G3311-01-4D	16 - 15	90109-06M84	16 - 32	90465-06M86	2 - 22		10 - 22	95895-06016	18 - 18		
68D-G3312-01-4D	16 - 16	90110-06350	6 - 9		2 - 23		10 - 24	95895-06020	16 - 22		
6BX-G3319-00	16 - 24	90119-05M04	15 - 11	90465-08361	11 - 10		11 - 12	95895-06035	16 - 17		
6BX-G3679-00	15 - 2	90119-06253	19 - 5	90465-08371	2 - 24		12 - 5	97013-05010	4 - 7		
6BX-G4111-00	15 - 1	90119-06254	19 - 5		21 - 13		13 - 8	97013-06050	4 - 13		
6BX-G4119-00-CA	15 - 4	90119-06256	15 - 17	90465-08395	14 - 40		14 - 32		4 - 23		
6BX-G4121-00	15 - 9	90152-05011	14 - 17	90465-11M10	9 - 16		14 - 34	97075-06050	17 - 9		
6BX-G4122-00	15 - 5	90157-05M16	20 - 4		9 - 19		17 - 5	97075-08025	14 - 9		
68D-G4145-00	15 - 15	90159-06M10	9 - 9		9 - 48		17 - 10	97095-05010	6 - 17		
68D-G4146-00	15 - 16	90170-12066	11 - 4	90465-13M97	12 - 7		17 - 16	97095-06012	11 - 11		
6BX-G4150-00	18 - 41	90185-08057	16 - 10	90467-08M01	18 - 30		18 - 13		12 - 4		
6BX-G4150-10	18 - 41	90201-06106	6 - 10	90467-09M09	6 - 6	92995-08600	4 - 20		13 - 7		
6BX-G4315-01	18 - 20	90201-06M62	14 - 35		8 - 9		13 - 11		14 - 33		
	24 - 5	90201-08818	4 - 33		9 - 7	93101-10M14	18 - 5	97095-06014	17 - 4		
	24 - 10	90201-08M54	19 - 10		9 - 11		24 - 2		17 - 15		
68D-G4328-00	18 - 28	90201-10M02	14 - 18		9 - 15	93101-13M12	18 - 16	97095-06020	2 - 9		
6BX-G4360-00	19 - 1	90201-11M49	18 - 33		9 - 20		24 - 6		2 - 18		
6BX-G4360-10	19 - 1	90201-12472	11 - 5		9 - 40	93102-10004	4 - 18		10 - 23		
6BX-G5111-00-4D	17 - 1	90201-266P2	3 - 2		9 - 47		22 - 8	97095-06025	9 - 3		
6BX-G5211-00-4D	19 - 12	90202-08M58	16 - 8		9 - 50	93102-20108	4 - 17		18 - 12		
68D-G5251-00	19 - 2	90243-04M01	16 - 6	90480-01559	8 - 6		22 - 7	97095-06030	9 - 36		
6BX-G5300-00-4D	18 - 1	90266-04M00	1 - 14	90480-10M13	17 - 12	93102-25090	4 - 4	97095-06035	4 - 34		
6BX-G5300-10-4D	18 - 1	90266-04M04	1 - 5	90480-14M14	13 - 5		22 - 4		10 - 21		
68D-G5311-00-4D	18 - 2	90266-04M05	16 - 40	90480-18M74	6 - 2	93210-09350	15 - 6		14 - 31		
68D-G5315-A0	18 - 11	90269-02M09	14 - 15	90480-21M82	13 - 3	93210-24M79	4 - 36	97095-06045	18 - 26		
	24 - 4	90280-04M06	11 - 3	90480-22M72	13 - 13		22 - 16		24 - 15		
68D-G5321-00	18 - 9	90340-08002	18 - 8	90480-25161	11 - 9	93210-27ME3	9 - 35	97095-08014	4 - 21		
6BX-G5321-00	17 - 3	90386-08032	14 - 20	90501-120A9	18 - 38		22 - 17	97095-08020	4 - 19		
68D-G5361-00-4D	18 - 14	90387-06119	8 - 5	90501-12802	15 - 7	93210-320A7	6 - 3		13 - 10		
68D-G5511-00	18 - 29	90387-06176	13 - 4	90501-18576	4 - 29		22 - 11	97575-06525	6 - 13		
68D-G5511-10	18 - 29	90387-06252	14 - 27	90501-23215	14 - 19	93210-35537	4 - 16	97575-06540	17 - 8		
68D-G5611-10	18 - 40	90387-06504	15 - 10	90502-08M05	16 - 28		22 - 6	97595-05514	1 - 8		
68D-G5987-00	19 - 7	90387-06806	17 - 7	91490-16010	14 - 12	93210-48214	18 - 17	97595-06516	21 - 5		
60R-H2377-50	16 - 41		19 - 6		15 - 14		24 - 7	97595-06520	21 - 3		
6BX-W0070-10	1 - 11		19 - 13	91490-25030	19 - 9	93306-004YH	18 - 6	97780-40012	1 - 3		
6BX-W0093-00	23 - 1	90387-06M11	16 - 11	91690-30008	16 - 27		18 - 15	97880-05025	2 - 16		